

No. Surat : 1918/SU-EKU/2023

Surabaya, 17 Oktober 2023

**Kepada Yth.**

**Direktur RS Mata Undaan**

Jl. Undaan Kulon No.19, Peneleh, Kec. Genteng,  
Surabaya, Jawa Timur 60274

**Hal : Permohonan Izin Demo  
Alat Kesehatan Merk ZEISS**

Dengan Hormat,

Dalam upaya untuk memperkenalkan alat kesehatan merk ZEISS, bersama ini kami PT. Carl Zeiss Indonesia, bermaksud untuk mengajukan permohonan izin untuk melakukan demo alat kesehatan merk ZEISS di RS Mata Undaan sebagai berikut :

Nama dan Tipe Produk : Mesin Phaco Quatera 700

Periode Demo : Menunggu persetujuan RS

Besar harapan kami pihak RS Mata Undaan dapat memberikan kesempatan dan waktu bagi kami untuk melakukan demo. Harapan kami dengan demo ini dapat memberikan manfaat yang positif bagi dokter, pasien dan juga RS Mata Undaan.

Demikian surat permohonan ini kami sampaikan. Untuk informasi dan koordinasi lebih lanjut dapat menghubungi Bayu Zamrommy (+62-811 8256242) atau Riris Panggabean (+62-8111547815).

Terima kasih atas perhatian dan kerjasamanya.

Hormat kami,  
PT Elo Karsa Utama

  
PT ELO KARSA UTAMA

**Hendry Sabella**  
Medical General Manager

# Unleashing a new experience in phaco.



**ZEISS QUATERA 700**

[zeiss.com/quatera700](https://zeiss.com/quatera700)

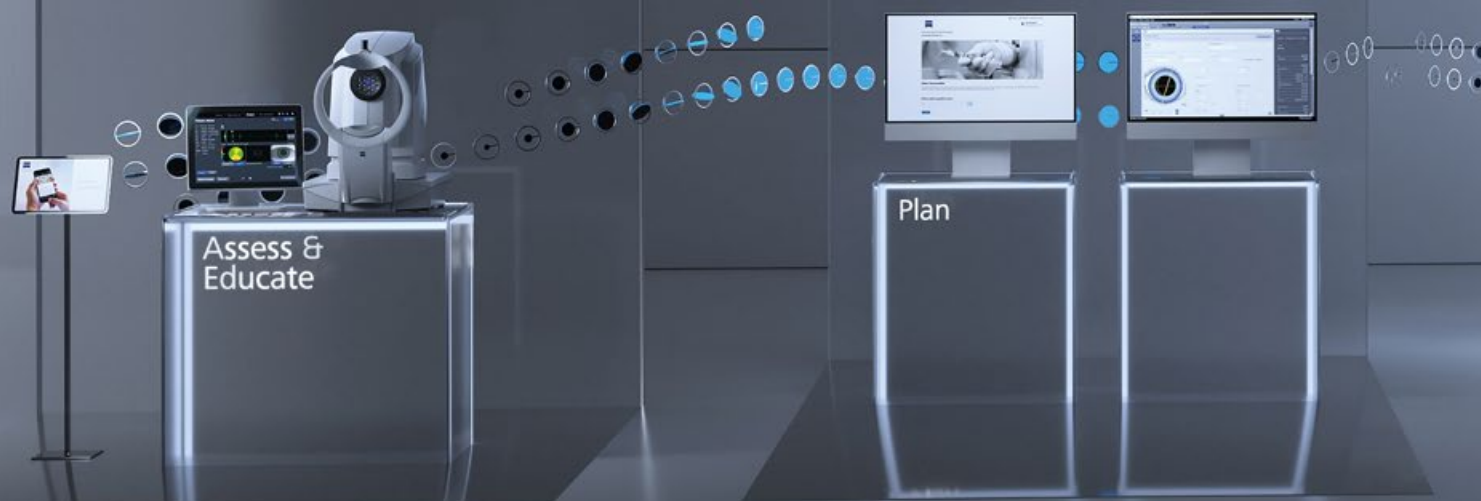


Seeing beyond

# Our answer to your phaco efficiency demands.

QUATERA® 700 from ZEISS marks a milestone in cataract surgery. Its ZEISS patented QUATTRO Pump® is designed to ensure chamber stability independent of IOP and flow. The digitally integrated surgical workflow combines data from other devices in the new ZEISS Cataract Workflow, making ZEISS QUATERA 700 your single sterile cockpit for cataract procedures.

The result is a completely new experience in phaco surgery. ZEISS QUATERA 700 is designed to make your surgical workflow even more efficient while reaching quality outcomes for every eligible patient – even in complex cases. From day one, you and your staff can focus on maximizing care in a highly-effective way with a fully-connected digital OR.





Treat

Check

# ZEISS patented QUATTRO Pump

Experience chamber stability independent of IOP and flow.

The ZEISS patented QUATTRO Pump is a synchronized fluid exchange system that directly measures and simultaneously controls both infusion and aspiration volumes in real-time. It actively compensates for incision leakage.

This new fluidic paradigm produces an exceptional level of chamber stability, regardless of aspiration settings and independent of IOP levels. It enables you to be more relaxed during the procedure and to focus on what really matters: efficiently removing the cataract.

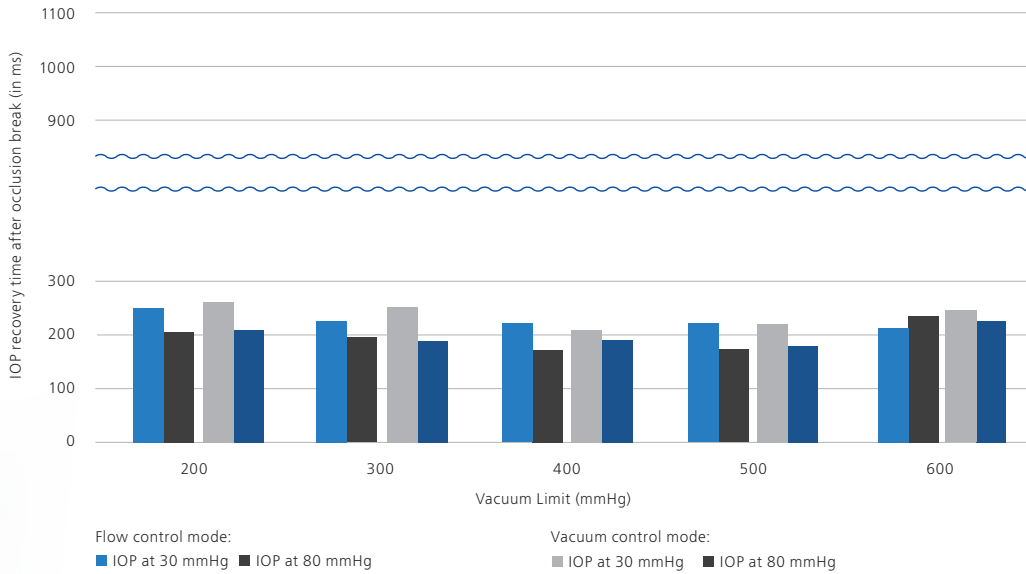
“In complicated cases, such as very dense cataracts or extremely floppy iris where I would have had to substantially decrease my surgical settings with my usual device, QUATERA enabled me to proceed with my preferred values just like in every other surgery.”

Dr. Enrique Molina Munoz,  
Heidenheim, Germany



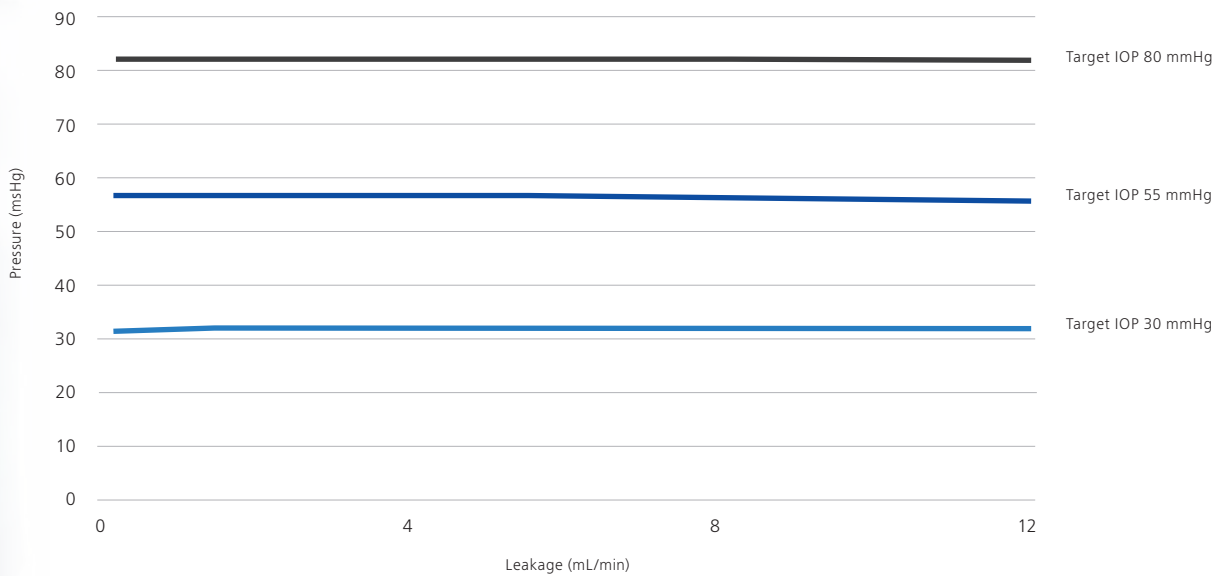
### Virtually eliminates post occlusion surge

Free flow state IOP after occlusion break: about 200 ms



### Active leakage compensation

When occlusion is detected, the QUATTRO Pump maintains an extremely stable chamber, allowing you to effectively and efficiently manage challenging surgical situations.



IOP stability with leakage at target IOP, at 60cc/min flow

“In my experience, the chamber is absolutely stable, irrespective of the type of cataract, irrespective of the situation. It ensures safety and efficiency and you can work at the highest vacuum levels and flow rates and there absolutely is no chamber instability. This is something which is very assuring and I am very confident about operating even on the toughest cases, the toughest cataracts.”

Dr. Sri Ganesh, Bangalore, India

# Digitally integrated surgical workflow

ZEISS QUATERA 700 brings together all elements of the ZEISS Cataract Workflow, making it your single sterile OR cockpit for a more effective and more efficient procedure.



*Image courtesy rights of Prof. Dr. Peter Stalmans, UZ Leuven, Belgium*



**One surgical view.**

With the microscope view on the phaco screen, everyone in the OR gets the same view as the surgeon, which allows nurses to anticipate upcoming surgical steps more quickly.

**One sterile cockpit.**

ZEISS QUATERA 700 can combine CALLISTO eye® from ZEISS workflow steps and phaco steps in one workflow. It allows you to control the full surgery either with its intuitive user interface or via the Foot Control Panel (FCP). This makes it easy and comfortable for surgeon and staff.

**One data access.**

With the integration of patient data from IOLMaster® 700 from ZEISS and ZEISS FORUM, take advantage of paperless timeout checks and ensure that you have relevant information at hand.



# Automated Ultrasound Power on Demand

Power on Demand is an ultrasound management technology that automatically (de)activates ultrasound only when needed: extracting the cataract in an efficient and safe procedure.

## **Efficient followability.**

As Power on Demand activates ultrasound only upon occlusion, it further reduces repulsion of fragments, which leads to high followability.

## **Up to 50%<sup>1</sup> less ultrasound.**

Automated ultrasound reduces phaco power to its minimum necessity, resulting in up to 50% less effective phaco time (EPT).

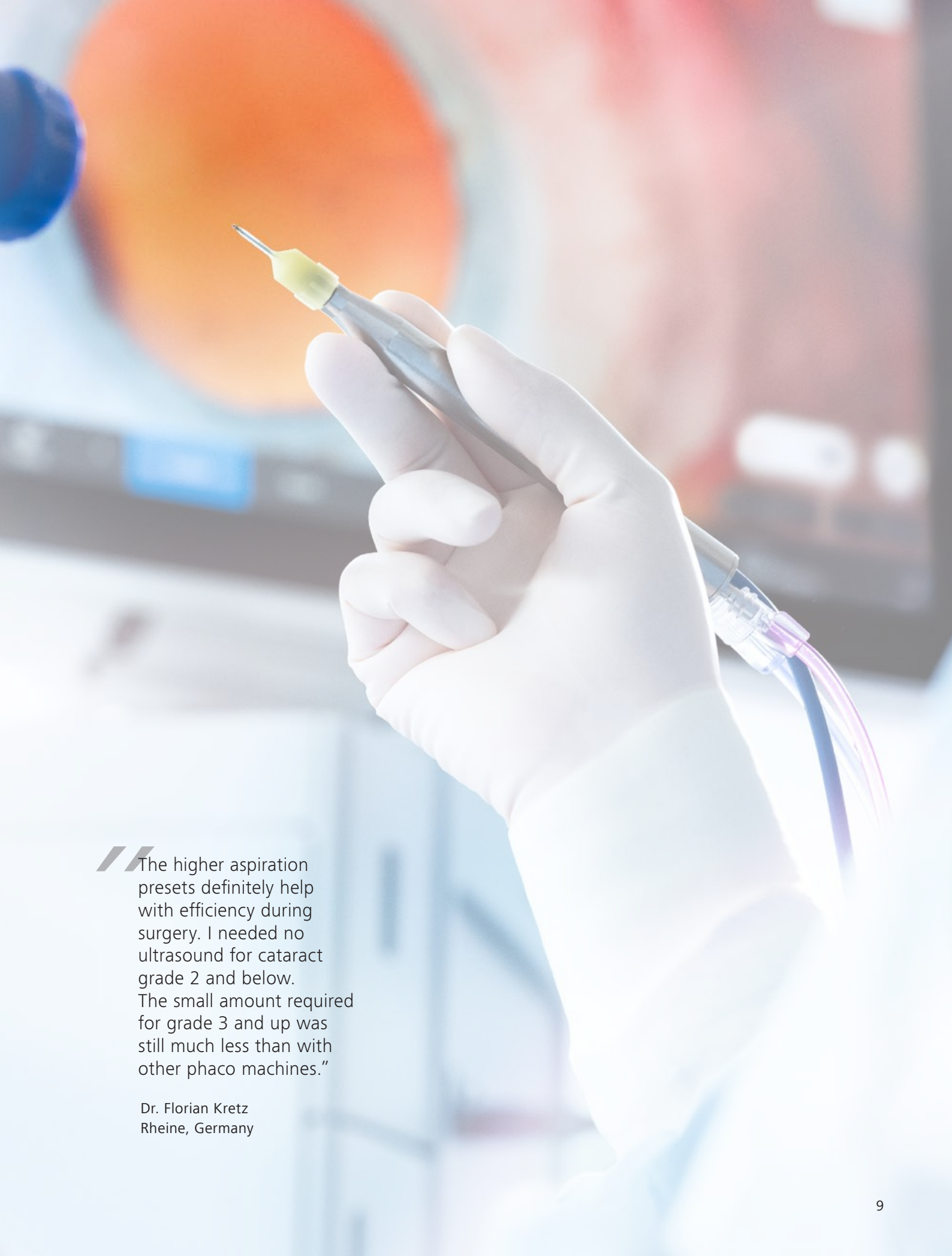
## **Relaxed surgical experience.**

With automatic (de)activation of ultrasound, you no longer have to constantly press and release the foot control pedal to modulate the ultrasound. This allows you to fully focus on the procedure and enables a more relaxed surgical experience.

“Using the new Power on Demand function, I noticed an immediate drop in my ultrasound usage. Overall I save about two-thirds of ultrasound and for grade 2 cataracts and below I don't require any ultrasound at all.”

Dr. Wolfram Wehner  
Nuremberg, Germany

<sup>1</sup> QUATERA 700 with PoD activated vs. QUATERA 700 with PoD not activated



// The higher aspiration presets definitely help with efficiency during surgery. I needed no ultrasound for cataract grade 2 and below. The small amount required for grade 3 and up was still much less than with other phaco machines.”

Dr. Florian Kretz  
Rheine, Germany

# ZEISS OPTIKIT

## Truly customizable surgical packs



**Prepare for cataract surgery with OPTIKIT® from ZEISS to save time in surgical preparation and optimize your workflow.**

### **Consumables and ZEISS products in one sterile pack**

From ZEISS products and phaco accessories to other high-quality standard components, every item you choose is placed in the same sterile pack for added convenience and a more efficient surgical preparation.

### **Sequential packing according to your workflow**

Define the order in which your selected components are placed in the ZEISS OPTIKIT, to add efficiency in your surgical preparation.

### **Quick and easy setup via ZEISS digital configurator**

Conveniently create your customized surgical pack with your ZEISS representative via the ZEISS digital configurator. Together, choose the most suitable product combination from the extensive ZEISS portfolio.

**Take full control creating a customized surgical pack that fits your needs.**

Choose **ZEISS OPTIKIT customized** to receive standard components, such as knives, cannulas, drapes swabs, gowns, gloves and more. With **ZEISS OPTIKIT customized+** you can add ZEISS products and phaco accessories for ZEISS QUATERA 700 and miLOOP®<sup>2</sup> to the same sterile pack.

For more information visit [zeiss.com/optikit](https://zeiss.com/optikit)

International edition: ZEISS OPTIKIT in its configurations customized and customized+ is only for sale in selected countries, not in the US. The contents of the brochure may differ from the current status of approval of the product or service offering in your country. Please contact our regional representatives for more information. Subject to changes in design and scope of delivery and due to ongoing technical development. © Carl Zeiss Meditec AG, 2022. All rights reserved

<sup>2</sup> ZEISS miLOOP is currently packed separately, outside the sterile ZEISS OPTIKIT packaging.

# Technical data

## Aspiration

Type of aspiration pump	QUATTRO Pump®
Aspiration control mode	Vacuum control mode, flow control mode
Vacuum range	0 to 700 mmHg Note that the maximum available vacuum pressure might be limited by the environmental pressure.
Flow rate range	0 to 120 cc/min

## Infusion

Type of infusion	Quattro controlled, forced infusion
IOP range	30 - 120 mmHg

## Phacoemulsification

Type of handpiece	Piezoelectrical
Frequency	40 kHz (+4.5 kHz/-0.5 kHz)
U/S operation modes	Continuous, pulse, single burst, multi burst, continuous burst, APM

## Diathermy

Type	Bipolar generator - generator stops when no HF power is required
Type of handpiece	Handpieces for bipolar diathermy, e.g. diathermy forceps, diathermy pencil eraser
Control mode	Fixed or "Linear" mode by pressing the foot pedal.

## Vitrectomy

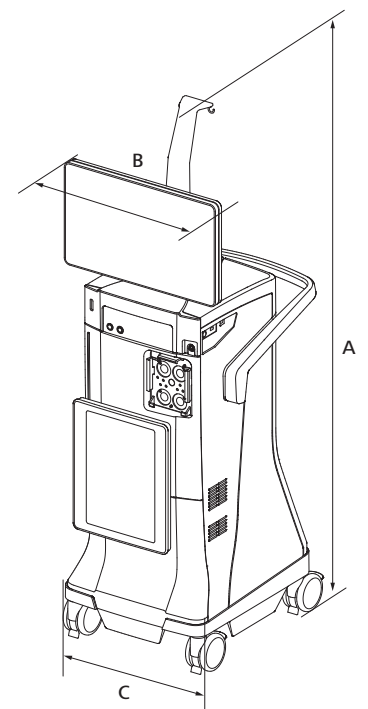
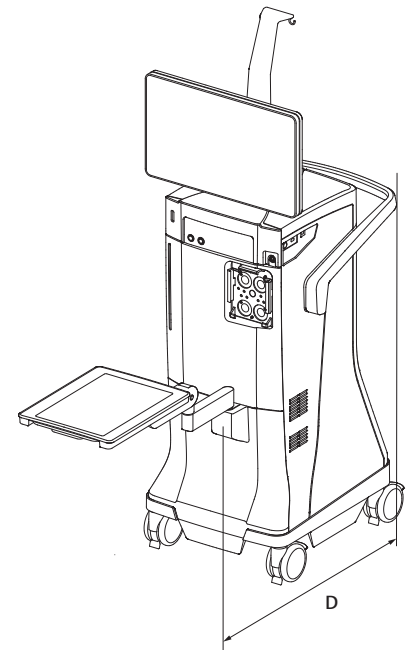
Type of handpiece	23G Anterior Vit Cutter, pneumatic cutting device with guillotine function (back-and-forth)
Actuation medium	Compressed air from internal source
Cutting rate range anterior vitrectomy	30 - 5000 cuts/min (± 20 %)

## Dimensions and weight

Height	1835 mm
Width	556 mm
Depth	758 mm
Tray arm length (from tray front to console)	875 mm
Weight	160 kg

## Electrical data

Rated voltage	100 V - 240 V AC (± 10%)
Rated frequency	50 HZ - 60 HZ
Power consumption	1200 VA





RESIGHT 700  
CALLISTO eye Panel PC



0297  
QUATERA 700  
CALLISTO eye Software



**Carl Zeiss Meditec AG**  
Goeschwitzer Strasse 51–52  
07745 Jena  
Germany  
[www.zeiss.com/quatera700](http://www.zeiss.com/quatera700)  
[www.zeiss.com/med/contacts](http://www.zeiss.com/med/contacts)

**en-INT\_32\_010\_0400111** Printed in Germany. CZ-IV/2022 International edition: Only for sale in selected countries.  
The contents of the brochure may differ from the current status of approval of the product, or service offering in your country. Please contact our regional representatives for more information.  
Subject to changes in design and scope of delivery and due to ongoing technical development: QUATERA, CALLISTO eye, OPTIKIT and miLoop are either trademarks or registered trademarks of Carl Zeiss Meditec AG or other companies of the ZEISS Group in Germany and/or other countries.  
© Carl Zeiss Meditec AG, 2022. All rights reserved.