

No. : SIH/ODX/230553/03/2023  
Tanggal : 30 Maret 2023  
Hal : Informasi Harga Alat Kesehatan Merk ZEISS

**Kepada Yth.**  
**Direktur RS Mata Undaan**  
**Jl. Undaan Kulon No.19, Peneleh, Kec. Genteng**  
**Kota SBY, Jawa Timur 60274**

Dengan hormat,

Bersama ini kami PT. Elo Karsa Utama sebagai distributor resmi ZEISS Indonesia bermaksud untuk memberikan informasi harga alat kesehatan merk ZEISS sebagai berikut :

Kategori	Nama Produk E-Katalog	No. Produk	Harga E-Katalog (Rp)	Asuransi (Rp)
Mesin Phaco (Portable)	CARL ZEISS VISALIS 100	4815000240-AK1-001171302	640,000,000	1,920,000
Peralatan Bedah	CARL ZEISS QUATERA 700	4831403999	1,350,000,000	-

Syarat dan Ketentuan:

- Harga diatas sudah termasuk PPN 11%
- Biaya Pengiriman : Rp 8,700,000,-/Unit
- Tujuan Pengiriman : Delivered Duty Paid (DDP) RS Mata Undaan
- Pembayaran : Sesuai dengan yang tertera pada surat kontrak
- Bukti transfer pembayaran : Harap dikirimkan ke email: [admin.medical@elokarsa.com](mailto:admin.medical@elokarsa.com)
- Pengiriman : 8 hingga 16 minggu terhitung sejak kontrak ditandatangani kedua belah pihak
- Konfigurasi : Terlampir

Untuk informasi lebih lanjut dapat menghubungi Giri Basuki (+62 811-1902-073) atau Hendry Sabella (+62 815-8490-1775) email: [hendry.s@elokarsa.com](mailto:hendry.s@elokarsa.com)

Demikian surat ini kami sampaikan, atas perhatian dan kerjasamanya kami ucapkan terima kasih.

Hormat kami,  
PT Elo Karsa Utama

  
PT ELO KARSA UTAMA

**Hendry Sabella**  
Medical General Manager

No. : SIH/ODX/230553/03/2023  
 Tanggal : 30 Maret 2023  
 Lampiran :

**\*Konfigurasi CARL ZEISS VISALIS 100**

Sales Code	Description	Qty
01V100	Visalis 100 phaco console Release 2.0 Double Linear Footswitch II ULITE phaco handpieces and further accessories must be ordered separately	1
60AVIS101	RU I/A Tub. w/ S3, Visalis 100 I/A TUBING SET, REUSABLE	2
60AVIS102	SU Drainb. non-st. Visalis 100 DRAINAGE BAG; (10pcs, SU)	1
60AVIS103	SU I/A Tub. w/ 3S, Visalis 100 I/A TUBING SET; (10pcs, SU)	1
60AVIS105	ULITE Handpiece, R/U ULITE PHACO HANDPIECE; (RU)	2
60AVIS107	Phaco Tip Wrench, R/U PHACO TIP WRENCH	1
60AVIS201	Tip, 20G, Flared, 30°, S/U PHACO SET PLUS 20G, FLARED, 30°; (10 pcs)	1
60AVIS143	Handpiece, Coax. tec., r/u, n/s I/A HANDPIECE, COAXIAL, REUSABLE	1
60AVIS152	Cannula, 20G, angled, R/U 20G I/A CANNULA, SILICONE SLEEVE, ANGLED; (RU)	2
60AVIS164	DIATHERMY FORCEPS; (RU)	1
60AVIS165	DIATHERMY BIPOLAR CABLE; (RU)	1
60AVIS167	Ant. Vitrectomy, 20G, S/U 20G A-VIT PROBE WITH SLEEVE; (5pcs, SU)	1
60AVIS195	STERILIZATION TRAY; (RU)	1
	UPS 1000VA	1
	Cart	1

No. : SIH/ODX/230553/03/2023  
Tanggal : 30 Maret 2023  
Lampiran :

**\*Spesifikasi CARL ZEISS VISALIS 100**

Dimensions	: Height: 205 mm, width: 400 mm, depth: 405 mm
Weight	: ± 12.5 kg
Irrigation	: Gravity fed fluid delivery; eye pressure determined by height of irrigation source : Solenoid valving element
Aspiration	: Peristaltic pump : 5 to 500 mmHg vacuum range : Flow rate from 2 to 50 cc/min : Surgery mode with fixed or linear control from 0 to preset of the flow and / or vacuum level via Double Linear Footswitch II : 0.5 to 12 s aspiration rise time
Phacoemulsification	: 4 Piezoelectric crystals handpiece with frequency approx. 40 kHz : U/S mode with Continuous, Pulse, Burst and with fixed or linear control from 0 to preset : U/S Timer / Timer EPT from 00:00:0 minutes to 59:59:9 minutes
Vitrectomy	: Handpieces type with pneumatically powered guillotine cutter : Cutting rate from 60 to 700 cuts per minute : Actuating medium with pressurized air from integrated air compressor
Diathermy	: Adjustable bipolar power from 9 W @ 200 Ω, 5 to 100% : Linear control with Double Linear Footswitch II
Additional Component	
UPS	: 1000VA, 600 watt; merk APC
Cart	: Custom stainless steel cart

No. : SIH/ODX/230553/03/2023  
Tanggal : 30 Maret 2023  
Lampiran :


**\*Gambar CARL ZEISS VISALIS 100**

## ZEISS VISALIS 100



No. : SIH/ODX/230553/03/2023  
 Tanggal : 30 Maret 2023  
 Lampiran :

**\*Sreen Shot CARL ZEISS VISALIS 100**


 Etalase Produk

[Beranda](#) [Pengumuman](#) [Berita](#) [Monev](#) [Unduh](#) [Tanya Jawab](#) [Hubungi Kami](#)

[Beranda](#) > [Alat Kesehatan](#) > [Peralatan Mata](#) > [Peralatan Mata Bedah](#) > VISALIS 100

**ZEISS VISALIS 100**



**CARL ZEISS VISALIS 100**

4815000240-AK1-001171302

**Rp 640.000.000,00**

Stok Produk : [Hubungi Penyedia](#)

[Spesifikasi](#) | [Lampiran](#) | [Referensi Ongkos Kirim](#) | [Diskusi Produk](#) | [Rating Penyedia](#)

<b>Nama Produk</b>	VISALIS 100
<b>Masa Berlaku Produk</b>	2025-05-01
<b>Merek</b>	Carl Zeiss
<b>No. Produk Penyedia</b>	67
<b>Unit Pengukuran</b>	unit
<b>Jenis Produk</b>	import
<b>Kode KBKI</b>	<a href="#">4815000240</a>
<b>Nilai TKDN(%)</b>	Tidak Ada
<b>No. SNI</b>	Tidak Ada
<b>Nomor Izin Edar</b>	<a href="#">AKL 21203313034</a>

<b>Nama Perusahaan Sesuai NIE</b>	PT. ELO KARSA UTAMA
<b>Nama Pabrik Sesuai NIE</b>	CARL ZEISS MEDITEC AG
<b>Model / Type</b>	-
<b>Nomor Izin Edar (AKD/AKL/Lainnya)</b>	KEMENKES RI AKL 21203313034
<b>Jenis Produk Sesuai Izin Edar</b>	Phacofragmentation system
<b>Fungsi</b>	Mesin untuk operasi fakoemulsifikasi (portable)
<b>Negara Asal Produk</b>	Germany
<b>Negara Pabrikan</b>	Germany
<b>Spesifikasi Produk Secara Singkat</b>	- Aspiration Pump : Peristaltic - Ultralight Handpiece - Reusable tubing - 0.5 to 12 s aspiration rise time - Linier control with Double Linier Footswitch

No. : SIH/ODX/230553/03/2023  
 Tanggal : 30 Maret 2023  
 Lampiran :

**\*Data Populasi CARL ZEISS VISALIS 100**

No	Customer	City / District
1	Abraham, Dr (Hermina Pasteur)	Bandung
2	Adnaan dr, RSUD Payakumbuh	Padang
3	Amir Sidiq, Dr	Cibubur
4	Badung, RSUD Denpasar	Denpasar
5	Balung , RSD Jember	Jember
6	Bekasi, RSUD Kota Bekasi	Bekasi
7	Brigjen Hasan Basri, RSUD Kandangan - KalSel	Kandangan
8	Dadi Tjokrodipo A dr, RS	Bandar Lampung
9	Dadi Tjokrodipo A dr, RS	Bandar Lampung
10	Gunung Jati, RSUD Cirebon	Cirebon
11	Hanafie, RS Muara Bungo	Jambi
12	Jakarta Eye Center - JEC Bali	Denpasar
13	Karanganyar, RSUD	Surakarta
14	Kariadi dr, RSUP	Semarang
15	Kayu Agung, RSUD	Kayu Agung
16	Khalisah, RS Cirebon	Cirebon
17	Kumala Siwi, RS	Kudus
18	Kusta Kediri, RS	Kediri
19	Micheal Nobertus, SpM, Dr - Melania Bogor, RS	Bogor
20	Muhammadiyah, PKU RS Tegal	Tegal
21	Muhammadiyah, RS Bumiayu	Brebes
22	Perdami - Jogja	Yogyakarta
23	Prof. dr. Soekandar, RSUD Mojosari	Mojosari
24	Prov. Nusa Tenggara Barat, RSM	Mataram
25	Purbalingga, RSUD	Purbalingga
26	Rida Maulidia, Dr - Awal Bros Bekasi Barat	Bekasi
27	Rumah Sakit Khusus Mata Masyarakat (RSKMM) - Sumatera Selatan - Palembang	Palembang
28	Soetomo dr, RSUD	Surabaya
29	Sumber Hurip, RS Cirebon	Cirebon
30	Sumber Waras, RS Cirebon	Cirebon
31	Yatofa NTB, RS	Lombok

No. : SIH/ODX/230553/03/2023  
 Tanggal : 30 Maret 2023  
 Lampiran :

**\*Spesifikasi CARL ZEISS QUATERA 700**

<b><u>Aspiration</u></b>	
Type of aspiration pump	QUATTRO Pump®
Aspiration control mode	Vacuum control mode, flow control mode
Vacuum range	0 to 700 mmHg
	Note that the maximum available vacuum pressure might be limited by the environmental pressure
Flow rate range	0 to 120 cc/min
<b><u>Infusion</u></b>	
Type of infusion	Quattro controlled, forced infusion
IOP range	30 - 120 mmHg
<b><u>Phacoemulsification</u></b>	
Type of handpiece	Piezoelectrical
Frequency	40 kHz (+4.5 kHz/-0.5 kHz)
U/S operation modes	Continuous, Pulse, Single Burst, Multi Burst, Continuous Burst, Advanced Power Modulation (APM)
<b><u>Diathermy</u></b>	
Type	Bipolar generator - generator stops when no HF power is required
Type of handpiece	Handpieces for bipolar diathermy, e.g. diathermy forceps, diathermy pencil eraser
Control mode	Fixed or "Linier" mode by pressing the foot pedal
<b><u>Vitrectomy</u></b>	
Type of handpiece	23G Anterior Vit Cutter, pneumatic cutting device with guillotine function (back-and-forth)
Actuation medium	Compressed air from internal source
Cutting rate range anterior vitrectomy	30 - 5000 cuts/min ( $\pm$ 20%)
<b><u>Dimension and weight</u></b>	
Height	1835 mm
Width	556 mm
Depth	758 mm
Tray arm length (from tray front to console)	875 mm
Weight	160 kg
<b><u>Electrical Data</u></b>	
Rated voltage	100 V - 240 V AC ( $\pm$ 10%)
Rated frequency	50 HZ - 60 HZ
Power consumption	1000 VA

No. : SIH/ODX/230553/03/2023  
Tanggal : 30 Maret 2023  
Lampiran :

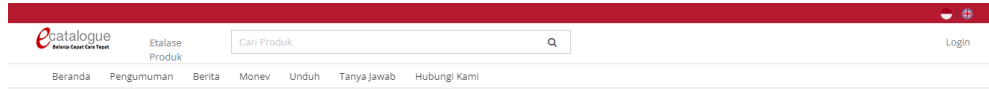
**\*Gambar CARL ZEISS QUATERA 700**





No. : SIH/ODX/230553/03/2023  
 Tanggal : 30 Maret 2023  
 Lampiran :

**\*Sreen Shot CARL ZEISS QUATERA 700**



Beranda > Alat Kesehatan > Peralatan Mata > Peralatan Mata Bedah > QUATERA 700

**CARL ZEISS QUATERA 700**

4831403999-FKS-051232912

[PT Carl Zeiss Indonesia](#) [Katalog Sektoral](#) [Fasilitas Kesehatan Sektoral Kemenkes](#)

Rp 1.350.000.000,00

Stok Produk : Hubungi Penyedia



[Spesifikasi](#) [Lampiran](#) [Referensi Ongkos Kirim](#) [Diskusi Produk](#) [Rating Penyedia](#)

Nama Produk	QUATERA 700
Masa Berlaku Produk	2026-09-30
Merek	Carl Zeiss
No. Produk Penyedia	8
Unit Pengukuran	unit
Jenis Produk	import
Kode KBKI	<a href="#">4831403999</a>
Nilai TKDN(%)	Tidak Ada
No. SNI	Tidak Ada
Nomor Izin Edar	<a href="#">AKL 21203220171</a>

Nama Perusahaan Sesuai NIE	PT. CARL ZEISS INDONESIA
Nama Pabrik Sesuai NIE	CARL ZEISS MEDITEC AG
Nomor Izin Edar (NIE)	AKL 21203220171
Model/Tipe	-
Ongkos Kirim	Belum Termasuk
Biaya Instalasi	Termasuk
Biaya Kalibrasi	Termasuk
Biaya Pelatihan	Termasuk
Biaya Pendampingan	Termasuk
Biaya Izin Khusus	Tidak ada

Biaya Izin Khusus Tidak ada

Surat Jaminan Garansi 2 Tahun

Surat Jaminan Ketersediaan Suku Cadang/ Sparepart 2 Tahun

# Unleashing a new experience in phaco.



**ZEISS QUATERA 700**

[zeiss.com/quatera700](https://zeiss.com/quatera700)

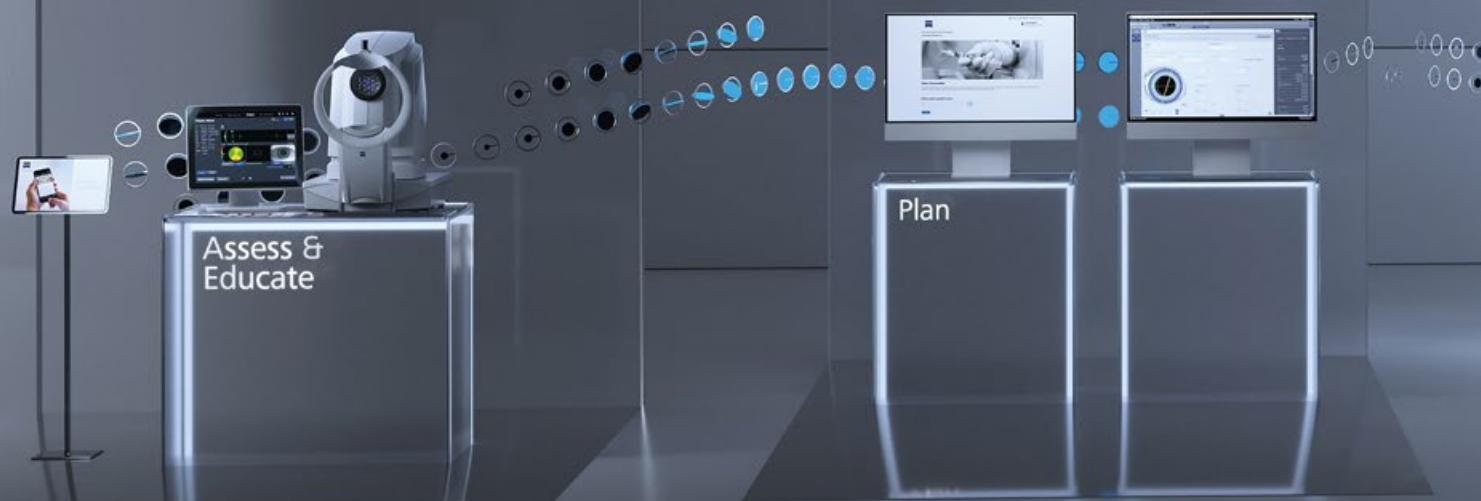


Seeing beyond

# Our answer to your phaco efficiency demands.

QUATERA® 700 from ZEISS marks a milestone in cataract surgery. Its ZEISS patented QUATTRO Pump® is designed to ensure chamber stability independent of IOP and flow. The digitally integrated surgical workflow combines data from other devices in the new ZEISS Cataract Workflow, making ZEISS QUATERA 700 your single sterile cockpit for cataract procedures.

The result is a completely new experience in phaco surgery. ZEISS QUATERA 700 is designed to make your surgical workflow even more efficient while reaching quality outcomes for every eligible patient – even in complex cases. From day one, you and your staff can focus on maximizing care in a highly-effective way with a fully-connected digital OR.





Treat

Check



# ZEISS patented QUATTRO Pump

Experience chamber stability independent of IOP and flow.

The ZEISS patented QUATTRO Pump is a synchronized fluid exchange system that directly measures and simultaneously controls both infusion and aspiration volumes in real-time. It actively compensates for incision leakage.

This new fluidic paradigm produces an exceptional level of chamber stability, regardless of aspiration settings and independent of IOP levels. It enables you to be more relaxed during the procedure and to focus on what really matters: efficiently removing the cataract.

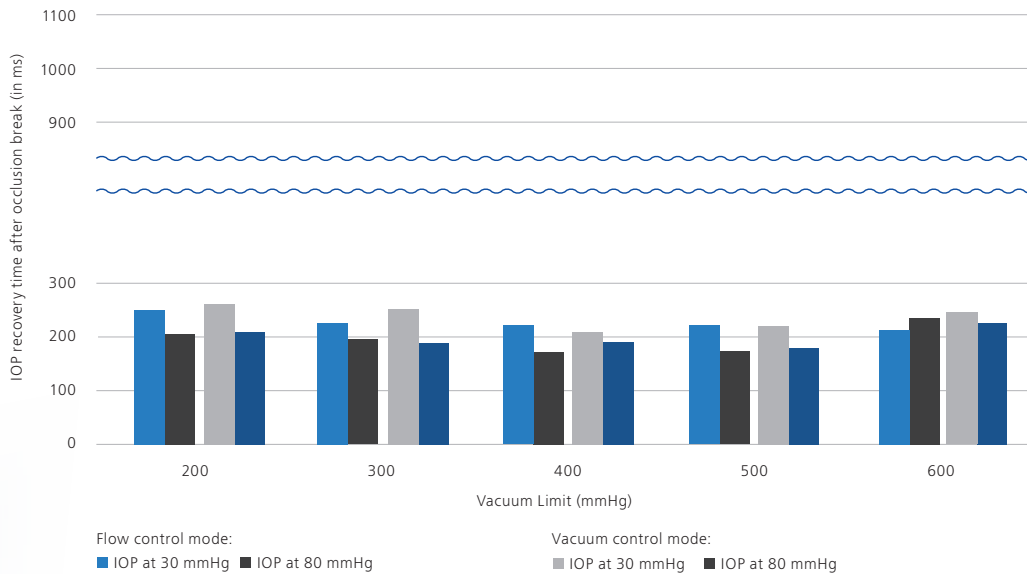
“In complicated cases, such as very dense cataracts or extremely floppy iris where I would have had to substantially decrease my surgical settings with my usual device, QUATERA enabled me to proceed with my preferred values just like in every other surgery.”

Dr. Enrique Molina Munoz,  
Heidenheim, Germany



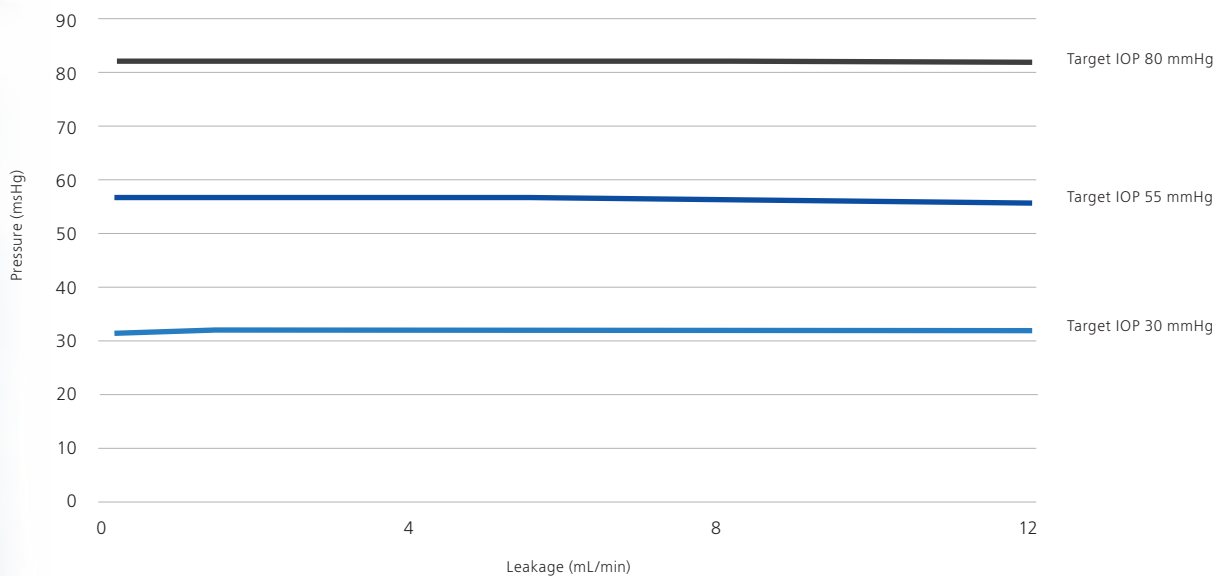
### Virtually eliminates post occlusion surge

Free flow state IOP after occlusion break: about 200 ms



### Active leakage compensation

When occlusion is detected, the QUATTRO Pump maintains an extremely stable chamber, allowing you to effectively and efficiently manage challenging surgical situations.



IOP stability with leakage at target IOP, at 60cc/min flow

In my experience, the chamber is absolutely stable, irrespective of the type of cataract, irrespective of the situation. It ensures safety and efficiency and you can work at the highest vacuum levels and flow rates and there absolutely is no chamber instability. This is something which is very assuring and I am very confident about operating even on the toughest cases, the toughest cataracts.”

Dr. Sri Ganesh, Bangalore, India

# Digitally integrated surgical workflow

ZEISS QUATERA 700 brings together all elements of the ZEISS Cataract Workflow, making it your single sterile OR cockpit for a more effective and more efficient procedure.



*Image courtesy rights of Prof. Dr. Peter Stalmans, UZ Leuven, Belgium*



**One surgical view.**

With the microscope view on the phaco screen, everyone in the OR gets the same view as the surgeon, which allows nurses to anticipate upcoming surgical steps more quickly.

**One sterile cockpit.**

ZEISS QUATERA 700 can combine CALLISTO eye® from ZEISS workflow steps and phaco steps in one workflow. It allows you to control the full surgery either with its intuitive user interface or via the Foot Control Panel (FCP). This makes it easy and comfortable for surgeon and staff.

**One data access.**

With the integration of patient data from IOLMaster® 700 from ZEISS and ZEISS FORUM, take advantage of paperless timeout checks and ensure that you have relevant information at hand.



# Automated Ultrasound Power on Demand

Power on Demand is an ultrasound management technology that automatically (de)activates ultrasound only when needed: extracting the cataract in an efficient and safe procedure.

## **Efficient followability.**

As Power on Demand activates ultrasound only upon occlusion, it further reduces repulsion of fragments, which leads to high followability.

## **Up to 50%<sup>1</sup> less ultrasound.**

Automated ultrasound reduces phaco power to its minimum necessity, resulting in up to 50% less effective phaco time (EPT).

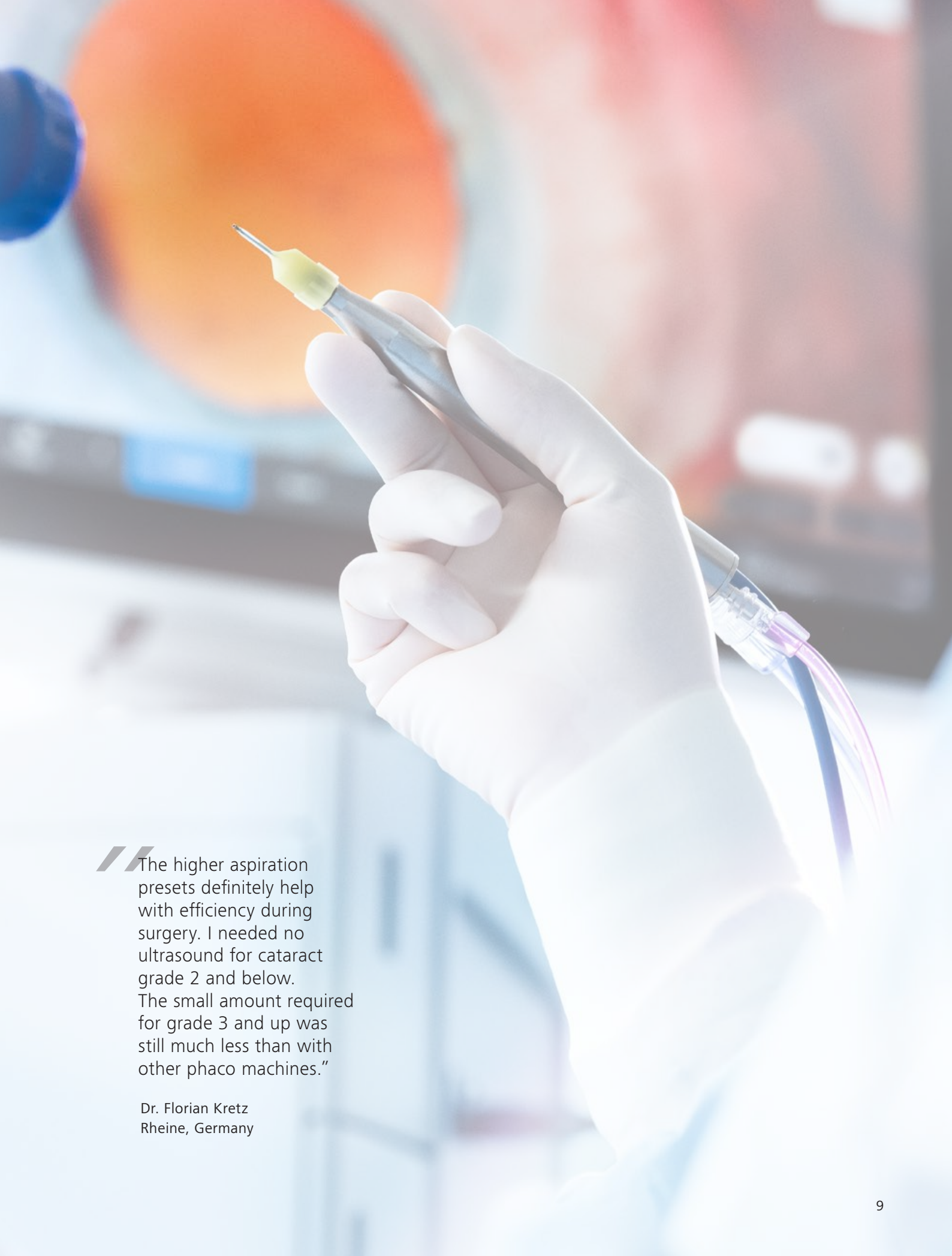
## **Relaxed surgical experience.**

With automatic (de)activation of ultrasound, you no longer have to constantly press and release the foot control pedal to modulate the ultrasound. This allows you to fully focus on the procedure and enables a more relaxed surgical experience.

“Using the new Power on Demand function, I noticed an immediate drop in my ultrasound usage. Overall I save about two-thirds of ultrasound and for grade 2 cataracts and below I don't require any ultrasound at all.”

Dr. Wolfram Wehner  
Nuremberg, Germany

<sup>1</sup> QUATERA 700 with PoD activated vs. QUATERA 700 with PoD not activated



// The higher aspiration presets definitely help with efficiency during surgery. I needed no ultrasound for cataract grade 2 and below. The small amount required for grade 3 and up was still much less than with other phaco machines.”

Dr. Florian Kretz  
Rheine, Germany

# ZEISS OPTIKIT

## Truly customizable surgical packs



**Prepare for cataract surgery with OPTIKIT® from ZEISS to save time in surgical preparation and optimize your workflow.**

### **Consumables and ZEISS products in one sterile pack**

From ZEISS products and phaco accessories to other high-quality standard components, every item you choose is placed in the same sterile pack for added convenience and a more efficient surgical preparation.

### **Sequential packing according to your workflow**

Define the order in which your selected components are placed in the ZEISS OPTIKIT, to add efficiency in your surgical preparation.

### **Quick and easy setup via ZEISS digital configurator**

Conveniently create your customized surgical pack with your ZEISS representative via the ZEISS digital configurator. Together, choose the most suitable product combination from the extensive ZEISS portfolio.

**Take full control creating a customized surgical pack that fits your needs.**

Choose **ZEISS OPTIKIT customized** to receive standard components, such as knives, cannulas, drapes swabs, gowns, gloves and more. With **ZEISS OPTIKIT customized+** you can add ZEISS products and phaco accessories for ZEISS QUATERA 700 and miLOOP®<sup>2</sup> to the same sterile pack.

For more information visit [zeiss.com/optikit](https://zeiss.com/optikit)

International edition: ZEISS OPTIKIT in its configurations customized and customized+ is only for sale in selected countries, not in the US. The contents of the brochure may differ from the current status of approval of the product or service offering in your country. Please contact our regional representatives for more information. Subject to changes in design and scope of delivery and due to ongoing technical development. © Carl Zeiss Meditec AG, 2022. All rights reserved

<sup>2</sup> ZEISS miLOOP is currently packed separately, outside the sterile ZEISS OPTIKIT packaging.

# Technical data

## Aspiration

Type of aspiration pump	QUATTRO Pump®
Aspiration control mode	Vacuum control mode, flow control mode
Vacuum range	0 to 700 mmHg Note that the maximum available vacuum pressure might be limited by the environmental pressure.
Flow rate range	0 to 120 cc/min

## Infusion

Type of infusion	Quattro controlled, forced infusion
IOP range	30 - 120 mmHg

## Phacoemulsification

Type of handpiece	Piezoelectrical
Frequency	40 kHz (+4.5 kHz/-0.5 kHz)
U/S operation modes	Continuous, pulse, single burst, multi burst, continuous burst, APM

## Diathermy

Type	Bipolar generator - generator stops when no HF power is required
Type of handpiece	Handpieces for bipolar diathermy, e.g. diathermy forceps, diathermy pencil eraser
Control mode	Fixed or "Linear" mode by pressing the foot pedal.

## Vitrectomy

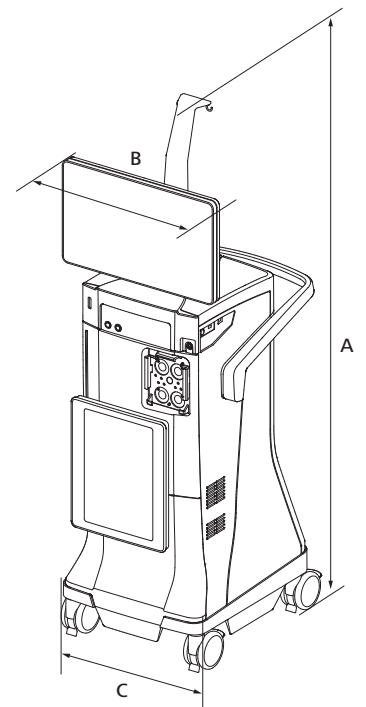
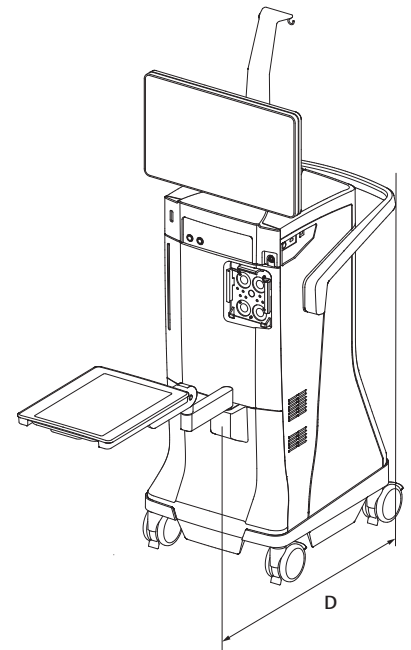
Type of handpiece	23G Anterior Vit Cutter, pneumatic cutting device with guillotine function (back-and-forth)
Actuation medium	Compressed air from internal source
Cutting rate range anterior vitrectomy	30 - 5000 cuts/min (± 20 %)

## Dimensions and weight

Height	1835 mm
Width	556 mm
Depth	758 mm
Tray arm length (from tray front to console)	875 mm
Weight	160 kg

## Electrical data

Rated voltage	100 V - 240 V AC (± 10%)
Rated frequency	50 HZ - 60 HZ
Power consumption	1200 VA





RESIGHT 700  
CALLISTO eye Panel PC



0297  
QUATERA 700  
CALLISTO eye Software



**Carl Zeiss Meditec AG**  
Goeschwitzer Strasse 51–52  
07745 Jena  
Germany  
[www.zeiss.com/quatera700](http://www.zeiss.com/quatera700)  
[www.zeiss.com/med/contacts](http://www.zeiss.com/med/contacts)

**en-INT\_32\_010\_0400111** Printed in Germany. CZ-IV/2022 International edition: Only for sale in selected countries.  
The contents of the brochure may differ from the current status of approval of the product, or service offering in your country. Please contact our regional representatives for more information.  
Subject to changes in design and scope of delivery and due to ongoing technical development: QUATERA, CALLISTO eye, OPTIKIT and miLoop are either trademarks or registered trademarks of Carl Zeiss Meditec AG or other companies of the ZEISS Group in Germany and/or other countries.  
© Carl Zeiss Meditec AG, 2022. All rights reserved.