

Surabaya, 13 Mei 2022

No. : SPH/SBY/SA/22/0133  
Hal. : Penawaran

Kepada Yth :  
**Direktur  
RS Mata Undaan  
Surabaya**

Dengan hormat,

Bersama ini kami, **PT. SURGIKA ALKESINDO** selaku agen tunggal alat-alat kesehatan, mengajukan penawaran harga sebagai berikut:

NO	CODE	DESCRIPTION	BRAND	HARGA REGULER	Diskon 20%
1	657H609	EIBOS 2 (f = 175 mm) for Zeiss microscope Lumera 300/700	Haag Streit	Rp 312.204.132,24	Rp 249.763.305,79
2	657 696	Ophthalmoscopic lens SPXL for EIBOS 2	Haag Streit	Rp 28.027.416,42	Rp 22.421.933,13

Dengan kondisi penawaran sebagai berikut :

- Pengiriman barang : 2 – 3 bulan
- Pembayaran : 40% pada saat konfirmasi order 60% pada saat barang diterima (maksimal 14 hari setelah barang diterima)
- Harga sudah termasuk PPN 11%
- Harga sudah termasuk diskon 20%
- Harga Franko Jakarta
- Penawaran ini berlaku sampai dengan tanggal 30 Juni 2022

Demikian penawaran ini kami sampaikan. Atas perhatian dan kerjasamanya, kami sampaikan terima kasih.

Hormat Kami,  
**PT. SURGIKA ALKESINDO**



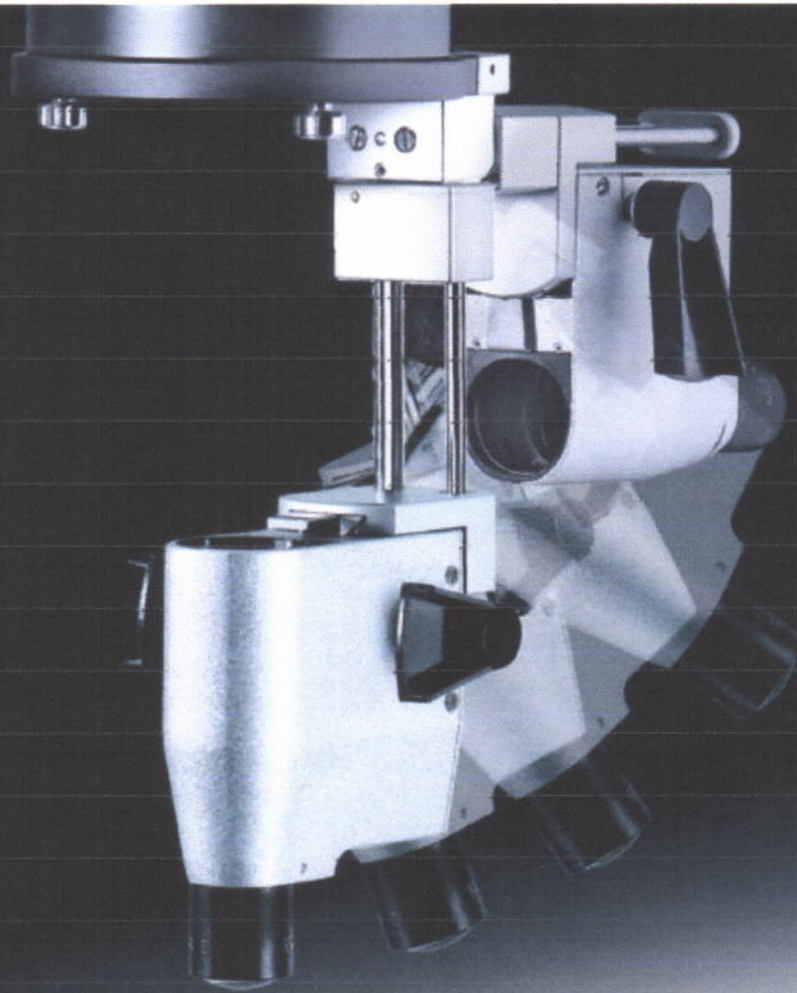
**Wempy Mahendra**

**Sales Excecutive**

Mengetahui,



**Deddy Rustandy**  
**Area Sales Manager**



## EIBOS 2

For non-contact wide-angle  
fundus observation



**Tradition and Innovation** – Since 1958, visionary thinking and a fascination with technology have guided us to develop innovative products of outstanding reliability. Anticipating trends to improve the quality of life.

 **HAAG-STREIT  
SURGICAL**



02 | 03

## EIBOS 2

# All-in-one solution

The unique benefit of EIBOS 2 is the integrated inverter which minimizes the height of the microscope and flips away when not needed. The inverter body is extremely slim which allows the surgeon, at low magnification, to simultaneously visualize the fundus and the incision area, upright in the same orientation. At medium or high magnification, the surgeon has the impression of 'being' in the eye instead of just looking at the fundus. Two ophthalmoscopic lenses are available: 90 D and SPXL for wide angle observation. Their high quality optics allow excellent vision to the edges of the visual field. Operation is fast and easy as the microscope is immediately focused on the cornea when the EIBOS 2 is flipped out of its working position.

## MOUNTING

### Convenience & safety

The mounting system of the EIBOS 2 is designed such that the optical axis remains in the center of the visual field. The inverter body can be turned to either side and placed in any position which is most convenient for the surgeon. For the utmost safety it is suspended on a spring-loaded rail system.

## RECONDITIONING

### Sterile handling

Mounting ring, suspension, levers, knobs, and lens can be autoclaved as well as the silicone cover for the inverter. The cover slides easily onto the inverter body, and the lens with its bayonet snaps quickly and safely into position. As an alternative to the sterilizable ophthalmoscopic lenses, disposable lenses are also available.

## FOCUSING

### Sharpness at your fingertips

Focus levers can be attached to both sides of the inverter body. The surgeon keeps surgical instruments in their hands and moves the lever with a fingertip. The focus shifts from the fundus to the upper vitreous body and back. If focusing is done by the assistant, round knobs may be used instead of the levers.

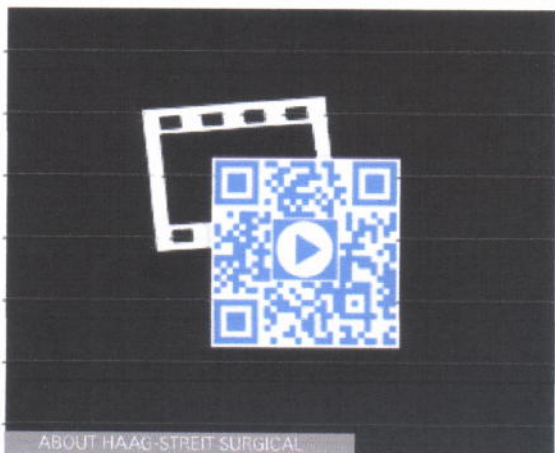
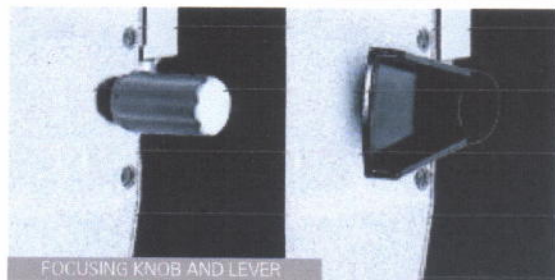
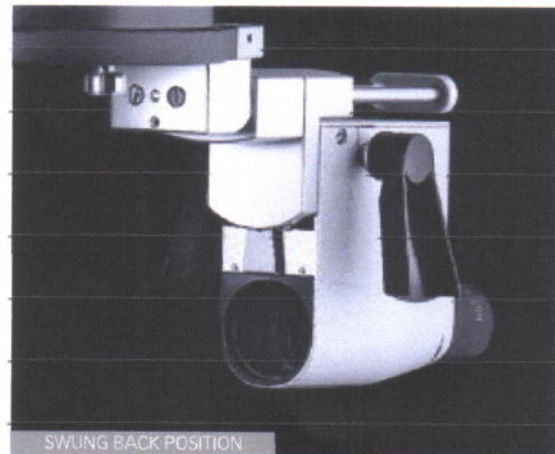
## Technical specifications

### General

Working distance	175 mm or 200 mm			
Adaptation	HAAG-STREIT SURGICAL, MÖLLER-WEDEL, and ZEISS microscopes			

Lens	90 D	E.DL 90 D	SPXL	E,DL SPXL
Diopter	90 D	90 D	132 D	132 D
Field of view	90°	90°	124°	124°
Working distance to cornea	7 mm	7 mm	4 mm	4 mm
Reconditioning	sterilization	none, disposable	sterilization	none, disposable

Subject to alterations.





04 |

Expert opinion

## Superb ergonomics and excellent optics



ABOUT EIBOS 2



» The integrated inverter of the EIBOS 2 from HAAG-STREIT SURGICAL gives an upright image all the time without having the need for an external inverter in the microscope stack. This is particularly useful for operating rooms where the scope is shared by both anterior and posterior segment surgeons. The EIBOS 2 is especially user-friendly and provides superb visualization of the peripheral vitreous body and retina. Mechanical robustness and image quality under air are both unequivocally best in class. «

**CHRISTOPHER D. RIEMANN, MD**  
CINCINNATI EYE INSTITUTE, OHIO, USA

### Members of HAAG-STREIT Group

HAAG-STREIT Holding AG <a href="http://www.haag-streit-holding.com">www.haag-streit-holding.com</a>	HAAG-STREIT Deutschland GmbH <a href="http://www.haag-streit.de">www.haag-streit.de</a>
HAAG-STREIT AG <a href="http://www.haag-streit.com">www.haag-streit.com</a>	IPro GmbH <a href="http://www.ipro.com">www.ipro.com</a>
SPECTROS AG <a href="http://www.spectros.ch">www.spectros.ch</a>	CLEMENT CLARKE Ltd. <a href="http://www.clement-clarke.com">www.clement-clarke.com</a>
HAAG-STREIT Medtech AG <a href="http://www.haag-streit-medtech.com">www.haag-streit-medtech.com</a>	HAAG-STREIT UK <a href="http://www.haag-streit-uk.com">www.haag-streit-uk.com</a>
HAAG-STREIT France EURL <a href="http://www.haag-streit.fr">www.haag-streit.fr</a>	John Weiss Ltd. <a href="http://www.johnweiss.com">www.johnweiss.com</a>
HAAG-STREIT Far East <a href="http://www.haag-streit-fareast.com">www.haag-streit-fareast.com</a>	HAAG-STREIT USA <a href="http://www.haag-streit-usa.com">www.haag-streit-usa.com</a>
HAAG-STREIT Surgical GmbH <a href="http://www.haag-streit-surgical.com">www.haag-streit-surgical.com</a>	Reliance Medical Inc. <a href="http://www.haag-streit-usa.com">www.haag-streit-usa.com</a>
Möller-Wedel GmbH & Co KG <a href="http://www.moeller-wedel.com">www.moeller-wedel.com</a>	Asetronics AG <a href="http://www.asetronics.ch">www.asetronics.ch</a>
Möller-Wedel Optical GmbH <a href="http://www.moeller-wedel-optical.com">www.moeller-wedel-optical.com</a>	ComLab AG <a href="http://www.comlab.ch">www.comlab.ch</a>

### HAAG-STREIT SURGICAL GmbH

Rosengarten 10  
D-22880 Wedel, Germany  
Telephone +49-4103-709 04  
Fax +49-4103-709 355  
[sales@haag-streit-surgical.com](mailto:sales@haag-streit-surgical.com)  
[www.haag-streit-surgical.com](http://www.haag-streit-surgical.com)

HAAG-STREIT SURGICAL distributes products manufactured by MÖLLER-WEDEL through national sister companies as well as dedicated representatives globally.



HAAG-STREIT SURGICAL as well as MÖLLER-WEDEL maintain a Quality Management System for Medical Products according to ISO 13485. MÖLLER-WEDEL is not only developing innovative products but also producing them conscious to the environment. Fulfilling an Environmental Management System according to ISO 14001 is the guide line. Both, the Quality as well as the Environmental Management System, are certified by TÜV.



All products are conform to the EC guidelines and thus CE labeled.