

Kepada Yth,
RS Mata Undaan
Dr. Sahata P. H. Napitupulu, Sp.M (K)
Jl. Undaan Kulon No. 17 – 19

Dengan hormat,

Bersama ini kami sampaikan satu set dokumen PSCL dan Layout, mohon dapat disimpan sebagai arsip.

Terima kasih atas perhatian dan kerjasamanya.

Dini Putri Haryanto
Medical Supervisor Project
PT Elo Karsa Utama



Presales Checklist

MEL 90, VISUMAX 600, VISUMAX 800



Dear Sales Representative,

Fill out this checklist very carefully and forward it to the Service and Support for Refractive Lasers in Jena, Germany by e-mail (✉ support.refractivelaser@zeiss.com) or by

Fax (☎ +49 3641 220442).

The completed and confirmed presales checklist is a mandatory prerequisite for order confirmation! In case of questions contact the Service and Support for Refractive Lasers (☎ +49 3641 220444).

If the installation site does not meet the given requirements, make a sketch (see section 8) and / or remarks (see section 9) to explain the unfulfilled requirement(s). A special approval might be required!

Select the power cable plug / socket type (section 11) that is required for your region. If no plug / socket type is selected the cable will be delivered with the standard Continental Europe plug!

1 Installation Site

Clinic RS. Mata Undaan

Doctor Name Dr. Sahata P. H. Napitupulu, Sp.M (K)

Street / No. Jl. Undaan Kulon No. 17-19

Postal Code 60274 Phone +62817388211

City Surabaya Fax / E-mail sekretariat@rsmataundaan.co.id

Country Indonesia Location Altitude 5 m / ft

I confirm that all related affairs are discussed with the Sales Contact Person and all data are complete and accurate.

Date 2022-02-04 Name Dr. Sahata P. H. Napitupulu, Sp.M(K) Signature  **RS MATA UNDAAN**

2 Sales Representative

Sales Rep. Name Lasma Donna Marlina Phone +62 852 3433 5898

Company Carl Zeiss Pte. Ltd Fax / E-mail lasma.donna@zeiss.com

I confirm that all data are complete and accurate. I will bear all additional cost should wrong data make the device installation impossible.

Date 2022-02-04 Name Lasma Donna Marlina Signature 

3 Device Configuration

Configuration	Product	Patient Supporting System (PSS)
<input type="checkbox"/> Standalone Excimer	<input type="checkbox"/> MEL 90	<input type="checkbox"/> LS Comfort 80 OR <input type="checkbox"/> LS Comfort 80 Combi
<input checked="" type="checkbox"/> Standalone fs-Laser	<input type="checkbox"/> VISUMAX 600 OR <input checked="" type="checkbox"/> VISUMAX 800	<input checked="" type="checkbox"/> BRUMABA Genius Eye Z <input type="checkbox"/> 3 rd Party PSS ¹
<input type="checkbox"/> Combination	MEL 90 with <input type="checkbox"/> VISUMAX 600 OR <input type="checkbox"/> VISUMAX 800	and LS Comfort 80 Combi

Connectivity Options

<input checked="" type="checkbox"/> FORUM Integration ²	<input checked="" type="checkbox"/> FORUM Server is needed	
	<input type="checkbox"/> FORUM Server is available	Version: _____
<input checked="" type="checkbox"/> Refractive Workplace ³	<input checked="" type="checkbox"/> is needed	
	<input type="checkbox"/> is available	Version: _____
<input checked="" type="checkbox"/> ZEISS Smart Services ²	<input checked="" type="checkbox"/> SCU is needed	
	<input type="checkbox"/> SCU is available	Version: _____
<input checked="" type="checkbox"/> Network Printer ⁴	<input type="checkbox"/> is needed	
	<input checked="" type="checkbox"/> is available	Model: <u>Brother - HL-L8250</u>

4 Contact Persons SSC / Dealer / Clinic

Contact persons are required for installation to ensure uncomplicated integration of the products.

4.1 FORUM Contact Person SSC / Dealer

Name	Phone	+62 811 8818 729
Hardianda Ramadhan	E-mail	hardianda.ramadhan.ext@zeiss.com

4.2 IT Contact Person Customer Site

Name	Phone	+62 852 3433 5898
Hendri	E-mail	sekretariat@rsmataundaan.co.id

¹ - see chapter 12 „Requirements for 3rd Party Patient Supporting System“

² - fill out chapter 4 „Contact Persons SSC / Dealer / Clinic“

³ - FORUM Integration required

⁴ - must support „PostScript Level 3“

5 MEL 90 Standalone Configurations

5.1 Electrical Requirements

100 V AC $\pm 10\%$ 50/60 Hz; 17.5 A	<input type="checkbox"/>
120 V AC $\pm 10\%$ 50/60 Hz; 14.6 A	<input type="checkbox"/>
208 / 220 / 230 / 240 V AC $\pm 10\%$ 50/60 Hz, 7.9 A	<input type="checkbox"/>
Overvoltage category of the mains supply (according to IEC 60664-1) II	<input type="checkbox"/>
The electrical installation conforming to IEC 60364-7-710 or the applicable national regulations.	<input type="checkbox"/>
Protection of the electrical circuit by circuit breaker of the building and earth-leakage circuit-breaker	<input type="checkbox"/>
Single phase with neutral wire and separate earth protection wire	<input type="checkbox"/>
Wall outlet within 2 m radius from device line power inlet (circuit used for MEL 90 exclusively)	<input type="checkbox"/>
Additional wall outlets (in an additional circuit) for external accessories available	<input type="checkbox"/>

5.2 Room Requirements for Operation

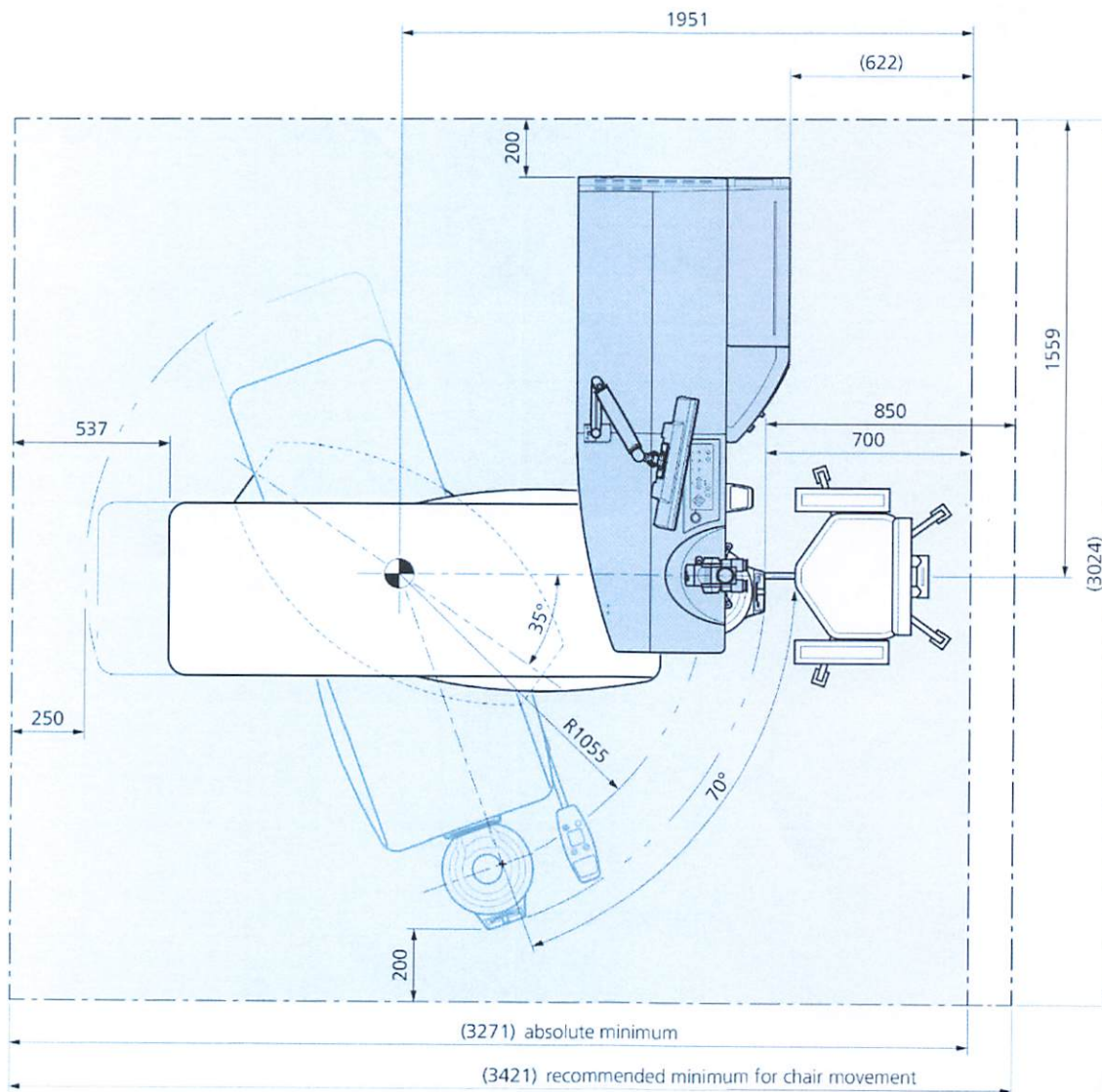
Construction and renovation work finished 4 weeks before MEL 90 installation / operation ⁵	<input type="checkbox"/>
Location (installation site) altitude max. 3000 m (9843 ft)	<input type="checkbox"/>
Temperature between 18°C and 24°C (65°F – 75°F) can be expected (air conditioned)	<input type="checkbox"/>
Relative humidity < 50% can be expected (air conditioned, non-condensing)	<input type="checkbox"/>
Air conditioning available (cooling capacity > 800 W)	<input type="checkbox"/>
Flat and even, vibration free installation surface	<input type="checkbox"/>
Minimum floor load-bearing capacity 250 kg/m ²	<input type="checkbox"/>
Minimum point load 2 kN	<input type="checkbox"/>
Ethernet wall outlet available within 5 m radius from MEL 90 connection panel	<input type="checkbox"/>

5.3 Transport into the Treatment Room

Inclined planes must be max. 5%	<input type="checkbox"/>
On which floor is the operating theatre located (1 st , 2 nd , 3 th , ...)	Floor No.: _____ <input type="checkbox"/>
All doors to be passed, have a minimum width of 76 cm	<input type="checkbox"/>
Door width of the smallest door which has to be passed	Door width: _____ <input type="checkbox"/>
For MEL 90 - All windows to be passed, have minimum clear width of 170 cm x 95 cm (H x W)	<input type="checkbox"/>
The transport way is free of steps higher than 10 cm	<input type="checkbox"/>
Elevators have a minimum door-width of 76 cm	<input type="checkbox"/>
a minimum depth of 205 cm	<input type="checkbox"/>
a minimum rated load capacity of 295 kg	<input type="checkbox"/>

⁵ - Aerosols, vapor, fumes and similar substances caused by renovation work (paint job, wall paper, carpet laying) have a disturbing effect on the performance of Excimer lasers. Therefore installation and first operation of the MEL 90 must not be done before 4 weeks after the renovation work was finished

5.4 Space Requirements MEL 90 (≈ 3.30 m x 3.03 m)



6 VISUMAX Standalone

6.1 Electrical Requirements

100 V to 240 V AC ($\pm 10\%$); 50 / 60 Hz; max. 1350 W	<input checked="" type="checkbox"/>
Earth leakage circuit breaker or insulation monitoring according to regional standards available	<input checked="" type="checkbox"/>
Single phase with neutral wire and separate earth protection wire	<input checked="" type="checkbox"/>
Wall outlet within 5 m radius from VISUMAX line power inlet (circuit used for VISUMAX exclusively)	<input checked="" type="checkbox"/>
Additional wall outlets (in an additional circuit) for external accessories available	<input checked="" type="checkbox"/>

6.2 Room Requirements for Operation

Location (installation site) altitude: max 3000 m (9842 ft)	<input checked="" type="checkbox"/>
Temperature between 18°C and 25°C (65°F – 75°F) can be expected	<input checked="" type="checkbox"/>
Relative humidity 30 % to 75 % can be expected (air conditioned, non-condensing)	<input checked="" type="checkbox"/>
Air conditioning available (cooling capacity > 700 W)	<input checked="" type="checkbox"/>
Flat and even, vibration free installation surface ⁶	<input checked="" type="checkbox"/>
Minimum floor load-bearing capacity 250 kg/m ²	<input checked="" type="checkbox"/>
Minimum point load 2 kN	<input checked="" type="checkbox"/>
Ethernet wall outlet available within 5m radius from VISUMAX connection panel	<input checked="" type="checkbox"/>

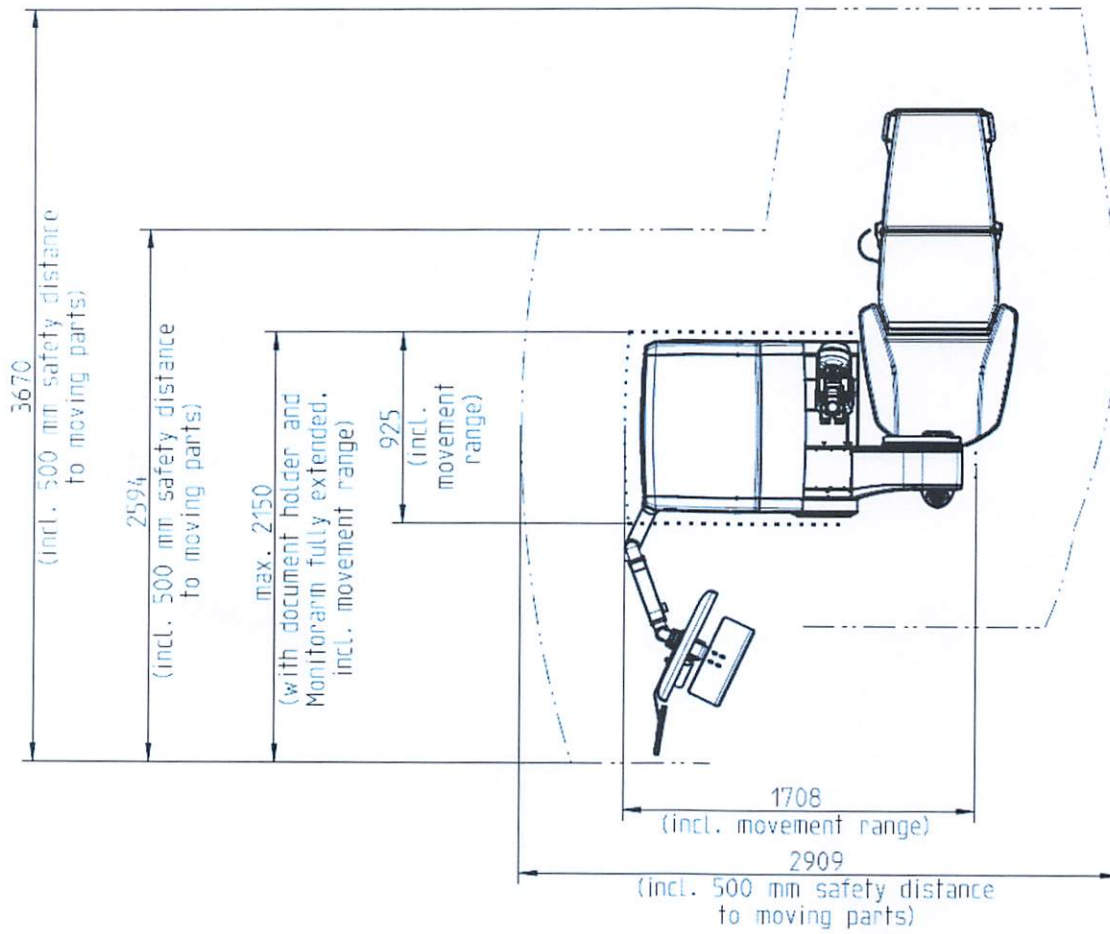
6.3 Transport into the Treatment Room

Inclined planes must be max. 5%	<input checked="" type="checkbox"/>
On which floor is the operating theatre located (1 st , 2 nd , 3 th , ...)	Floor No.: <u>2</u> <input checked="" type="checkbox"/>
All doors to be passed, have a minimum width of 85 cm	<input checked="" type="checkbox"/>
Door width of the smallest door which has to be passed	Door width: <u>90</u> <input checked="" type="checkbox"/>
All windows to be passed, have minimum clear width of 170 cm x 100 cm (H x W) ⁷	<input checked="" type="checkbox"/>
Floors with corners have a minimum width of 135 cm	<input checked="" type="checkbox"/>
The transport way is free of steps higher than 10 cm	<input checked="" type="checkbox"/>
Elevators have a minimum door width of 85 cm	<input checked="" type="checkbox"/>
a minimum door height of 182 cm (VISUMAX arms in standby position)	<input checked="" type="checkbox"/>
a minimum depth of 135 cm (handgrip moved in)	<input checked="" type="checkbox"/>
a minimum rated load capacity of 530 kg	<input checked="" type="checkbox"/>

⁶ - see <https://www.newport.com/environmental-vibration-criteria>, looking at the "Generic vibration criterion table" (first graphics) and the subsequent table with criterion curve VC-B (which is adequate for VM or MEL 90)

⁷ - Only in case the device must be lifted through a window by crane using the crane pallet.

6.4 Space Requirements VISUMAX 600 / 800 (≈ 3.70 m x 2.90 m)



7 VISUMAX / MEL Combination Configurations

7.1 General

VISUMAX	<input type="checkbox"/> new
	<input type="checkbox"/> existing <input type="checkbox"/> VISUMAX 600 <input type="checkbox"/> VISUMAX 800
	Serial number: _____
MEL 90	<input type="checkbox"/> new
	<input type="checkbox"/> existing Serial number: _____
	LS Comfort 80 remains at customer site <input type="checkbox"/> Yes <input type="checkbox"/> No
	MEL 90 Modification 51 applied (Precitec Eyetracker integrated) <input type="checkbox"/> Yes <input type="checkbox"/> No
	MEL 90 Modification 68 applied (Gate Control integrated) <input type="checkbox"/> Yes <input type="checkbox"/> No
Networking	<input type="checkbox"/> direct connection of VISUMAX, MEL 90 & Network Printer
	<input type="checkbox"/> connection to customer LAN & FORUM Server

7.2 Electrical Requirements VISUMAX 600 / 800

100 V to 240 V AC ($\pm 10\%$); 50 / 60 Hz; max. 1350 W	<input type="checkbox"/>
Earth leakage circuit breaker or insulation monitoring according to regional standards available	<input type="checkbox"/>
Single phase with neutral wire and separate earth protection wire	<input type="checkbox"/>
Wall outlet within 5 m radius from VISUMAX line power inlet (circuit used for VISUMAX exclusively)	<input type="checkbox"/>
Additional wall outlets (in an additional circuit) for external accessories available	<input type="checkbox"/>

7.3 Electrical Requirements MEL 90

100 V AC $\pm 10\%$ 50/60 Hz; 17.5 A	<input type="checkbox"/>
120 V AC $\pm 10\%$ 50/60 Hz; 14.6 A	<input type="checkbox"/>
208 / 220 / 230 / 240 V AC $\pm 10\%$ 50/60 Hz, 7.9 A	<input type="checkbox"/>
Overvoltage category of the mains supply (according to IEC 60664-1) II	<input type="checkbox"/>
The electrical installation conforming to IEC 60364-7-710 or the applicable national regulations.	<input type="checkbox"/>
Protection of the electrical circuit by circuit breaker of the building and earth-leakage circuit-breaker	<input type="checkbox"/>
Single phase with neutral wire and separate earth protection wire	<input type="checkbox"/>
Wall outlet within 2 m radius from device line power inlet (circuit used for MEL 90 exclusively)	<input type="checkbox"/>
Additional wall outlets (in an additional circuit) for external accessories available	<input type="checkbox"/>

7.4 Room Requirements for Operation

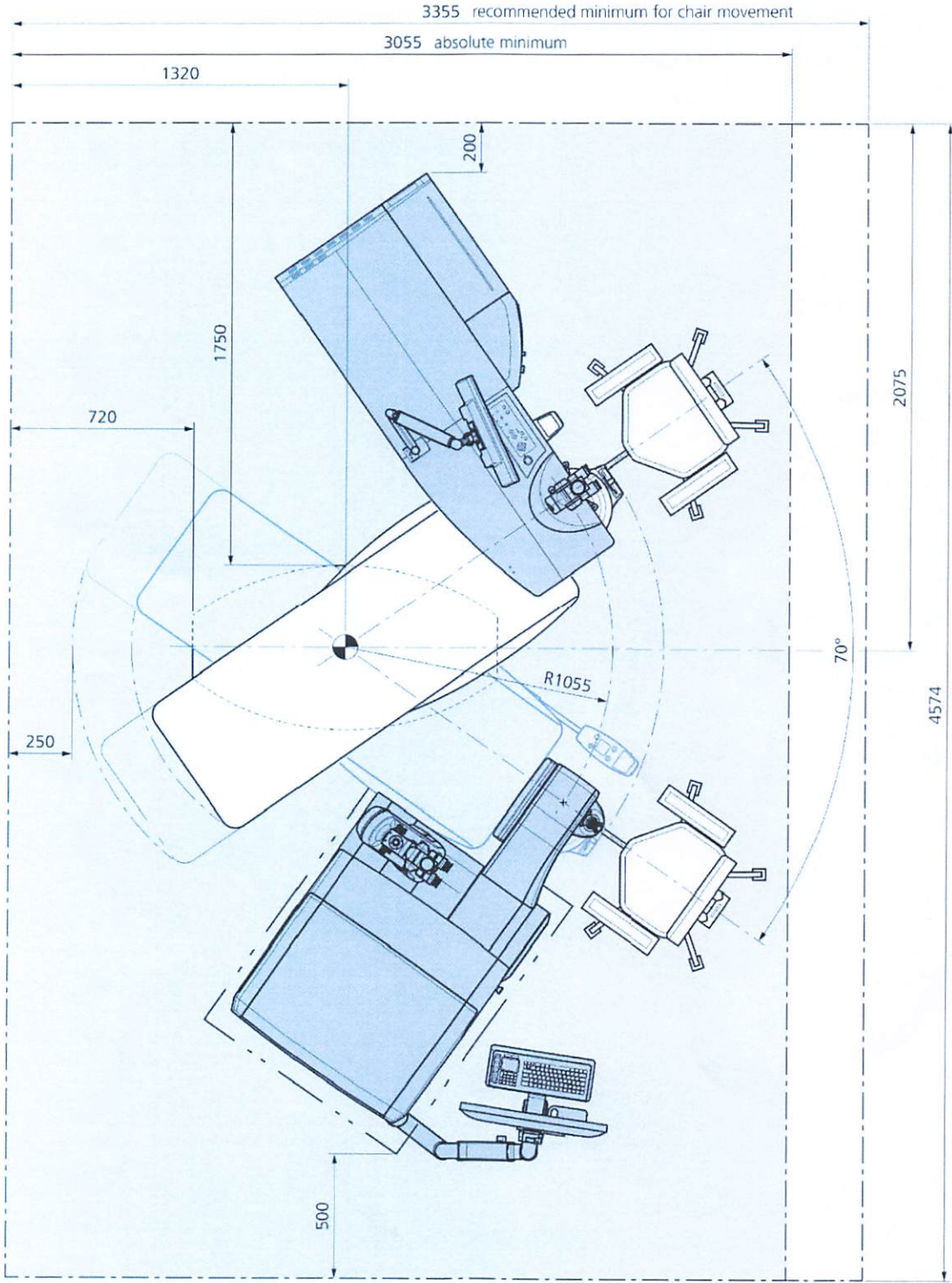
Construction and renovation work finished 4 weeks before MEL 90 installation and operation ⁵	<input type="checkbox"/>
Location (installation site) altitude: max 3000 m (9842 ft)	<input type="checkbox"/>
Temperature between 18°C and 24°C (65°F – 75°F) can be expected	<input type="checkbox"/>
Relative humidity < 50% can be expected (airconditioned, non-condensing)	<input type="checkbox"/>
Air conditioning available (cooling capacity > 1500 W)	<input type="checkbox"/>
Flat and even, vibration free installation surface ⁶	<input type="checkbox"/>
Minimum floor load-bearing capacity 250 kg/m ²	<input type="checkbox"/>
Minimum point load 2 kN	<input type="checkbox"/>
Ethernet wall outlets (2) available within 5 m radius from the device connection panel	<input type="checkbox"/>

7.5 Transport into the Treatment Room

Inclined planes must be max. 5%	<input type="checkbox"/>
On which floor is the operating theatre located (1 st , 2 nd , 3 th , ...)	Floor No.: _____ <input type="checkbox"/>
All doors to be passed, have a minimum width of 85 cm	<input type="checkbox"/>
Door width of the smallest door which has to be passed	Door width: _____ <input type="checkbox"/>
All windows to be passed, have minimum clear width of 170 cm x 100 cm (H x W) ⁸	<input type="checkbox"/>
Floors with corners have a minimum width of 135 cm	<input type="checkbox"/>
The transport way is free of steps higher than 10 cm	<input type="checkbox"/>
Elevators have	<input type="checkbox"/>
a minimum door width of 85 cm	<input type="checkbox"/>
a minimum door height of 182 cm (VISUMAX arms in standby position)	<input type="checkbox"/>
a minimum depth of 205 cm	<input type="checkbox"/>
a minimum rated load capacity of 530 kg	<input type="checkbox"/>

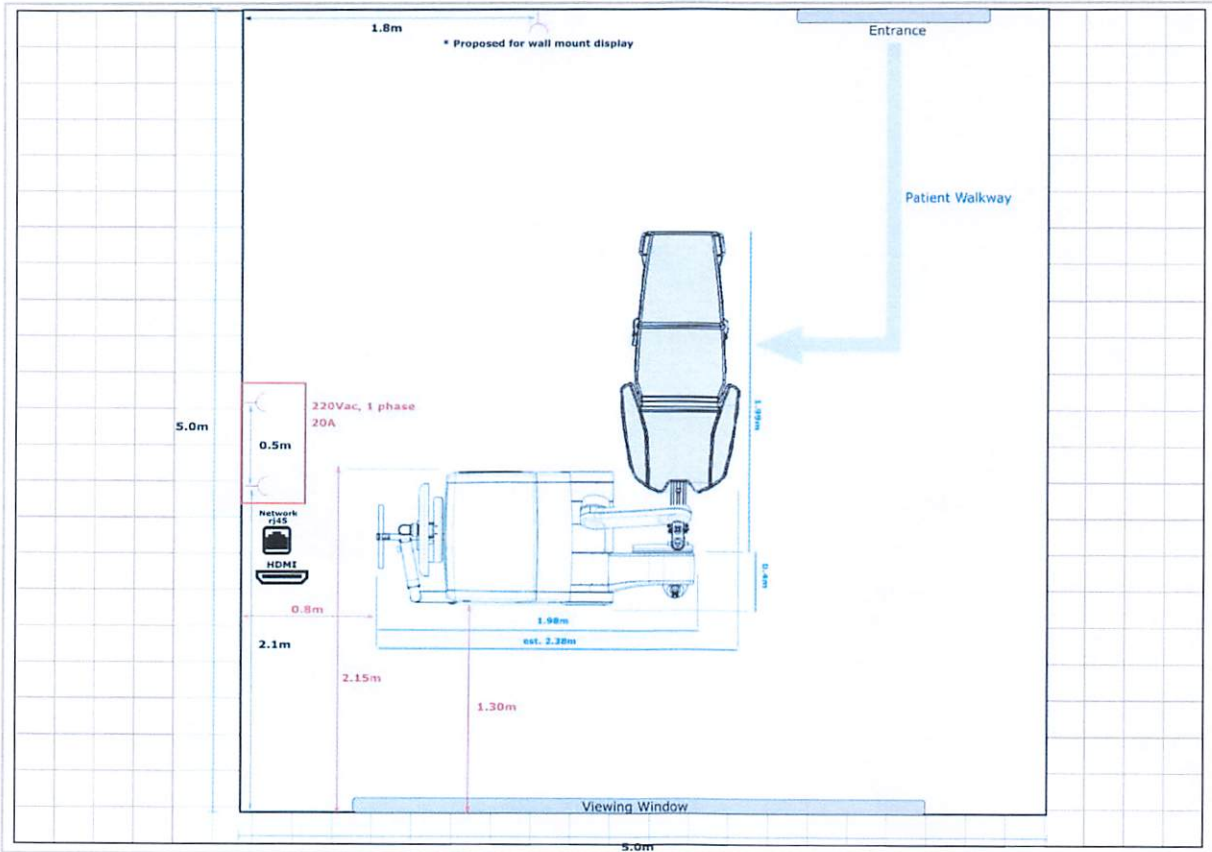
⁸ - Only in case the device must be lifted through a window by crane using the crane pallet.

7.6 Space Requirements VISUMAX / MEL 90 Combi (≈ 4.58 m x 3.06 m)



8 Installation Site Sketch

Draw a sketch (with measures) that shows the room dimensions, the positions of doors, windows, power wall outlets, fixed installations (e.g. pillars, heaters, sinks, furniture...) and the customer preferred device position in the room. Scale the room sketch and all measures correctly. Attach a ground plan or drawing if available!



9 Remarks

10 Product Dimensions & Weights

10.1 MEL 90 Basic Unit

Length:	1.63 m
Width:	0.73 m
Height:	1.48 m (monitor in transport position) 1.70 m (monitor in working position)
Weight:	approx. 295 kg (MEL 90 basic unit including gas cylinder)

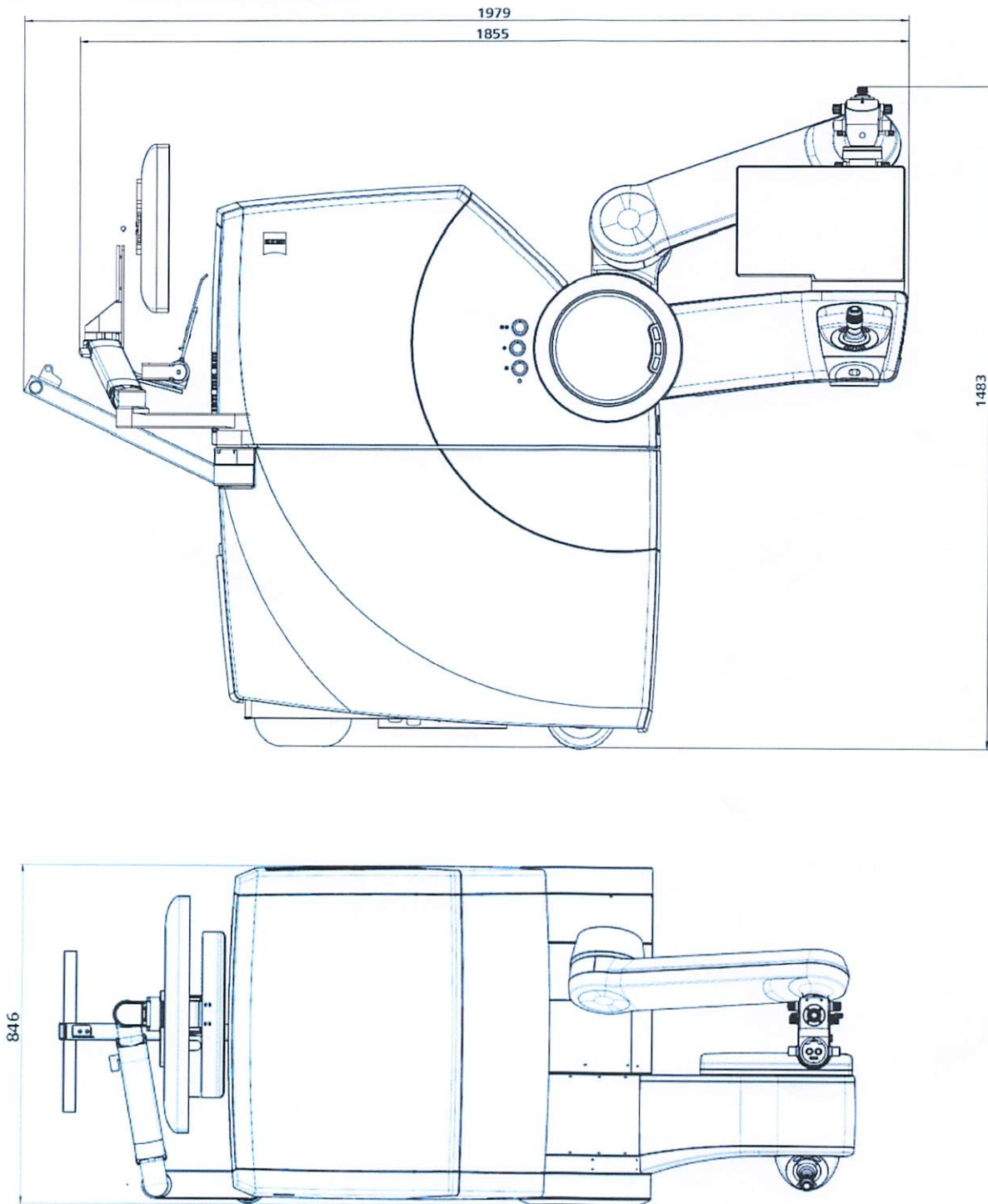
10.2 LS Comfort 80 Combi

Length:	2.04 m
Width:	0.70 m 0.75 m (with transport chassis)
Height:	0.56 m to 0.60 m
Weight:	approx. 235 kg

10.3 BRUMABA Genius Eye Z

Length:	1.42 m (transport position) 1.09 m (seat position) 1.80 m (lying position)
Width:	0.78 m
Height:	0.87 m (transport position) 1.49 m (seat position)
Weight:	approx. 235 kg

10.4 VISUMAX 600 / 800



Weight: approx. 520 kg

Fig. 1: VISUMAX 600 / 800 Transport Mode: Arms in Transport Position

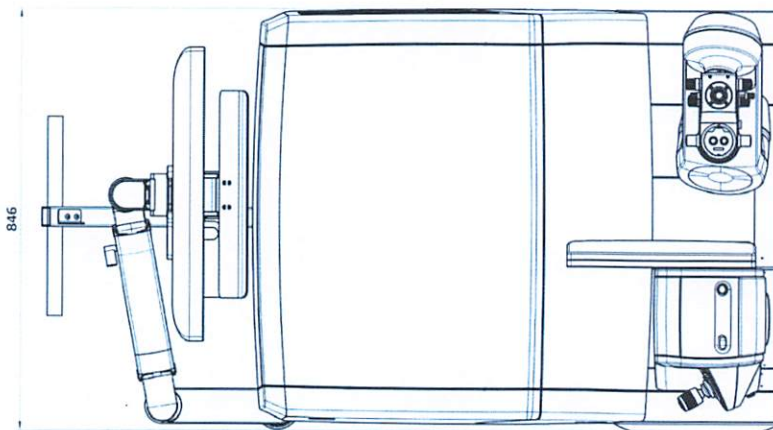
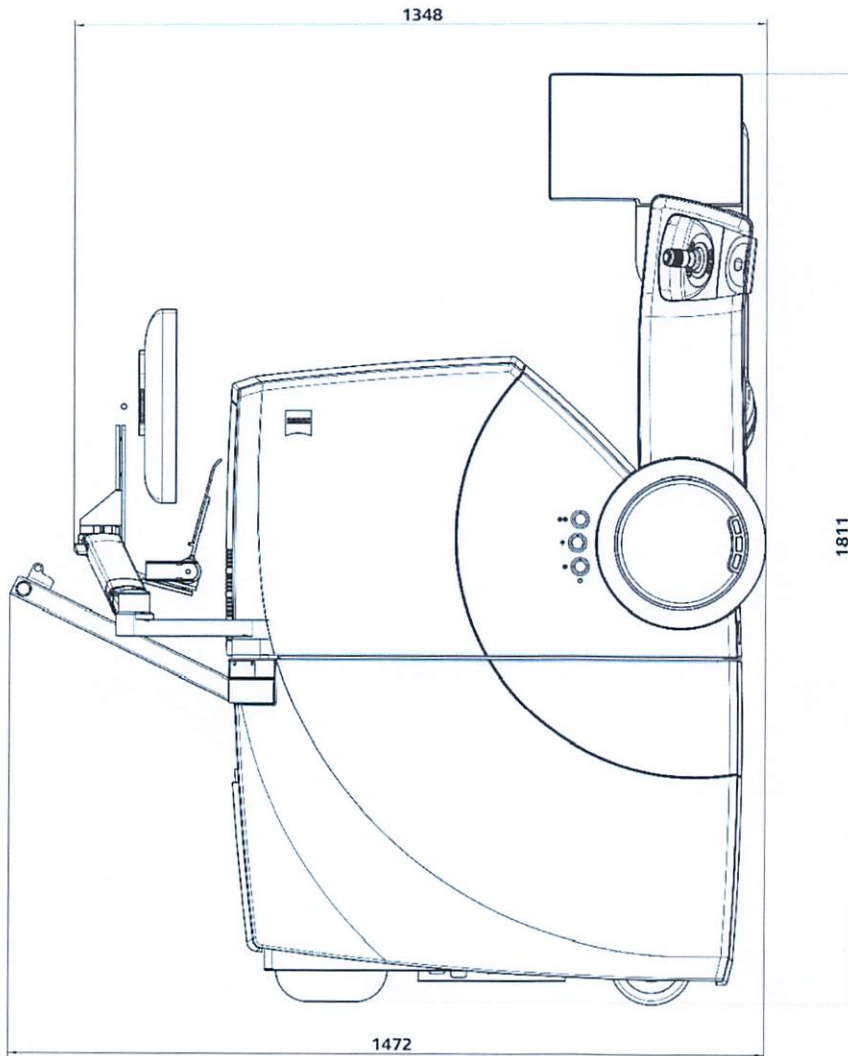


Fig. 2: VISUMAX 600 / 800 Transport Mode: Arms in Standby Position












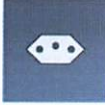
11 Power Cable Plug / Socket Types

11.1 VISUMAX

Mark the plug / socket type that is required for your region. If no plug / socket type is selected, the power cable will be delivered with the standard Continental Europe plug!

For detailed information visit <http://www.iec.ch/worldplugs/>.

Order No.	Country	Symbol
000000-0236-448	Continental Europe	 <input checked="" type="checkbox"/>
000000-0418-089	UK, Ireland, Hong Kong, Malaysia, Singapore, UAE, Kuwait	 <input type="checkbox"/>
000000-0418-092	Switzerland, Liechtenstein (different from Brazil)	 <input type="checkbox"/>
000000-0418-106	Australia, Argentina, New Zealand	 <input type="checkbox"/>
000000-0480-531	USA, Canada, Mexico	 <input type="checkbox"/>
000000-0500-856	Denmark	 <input type="checkbox"/>
000000-0500-855	Italy	 <input type="checkbox"/>
000000-0500-854	China	 <input type="checkbox"/>

Order No.	Country	Symbol	
000000-0500-858	Japan	   	<input type="checkbox"/>
000000-0500-857	India, South Africa	   	<input type="checkbox"/>
000000-0527-063	Brazil (different from Switzerland)	   	<input type="checkbox"/>
n/a	Specify: _____	Plug type ⁹ : _____	<input type="checkbox"/>

11.2 MEL 90

The MEL 90 will be delivered always with socket type "Continental Europe".

Please pay attention to the attached label on the power plug.

During system installation, a connector plug conforming to the local requirements can be installed. (see Service Manual MEL 90).

⁹ According to IEC (<http://www.iec.ch/worldplugs>)

12 Requirements for 3rd Party Patient Supporting System used with VISUMAX

All requirements are copied from the VISUMAX User Manual. For further information please read the VISUMAX User Manual.

Please note that patient supporting system (e.g. Brumaba Genius Eye Z) which were sold by ZEISS are already met these requirements.

The patient supporting system is an approved medical device or a part of such a product.	<input type="checkbox"/>
The intended use of the patient supporting system includes positioning a patient in dorsal position for a surgical treatment.	<input type="checkbox"/>
The width of the patient supporting system including the motorized travel range is less than or equal to 810 mm.	<input type="checkbox"/>
The position of the head part including padding at the back of the head has a fixed height in the range 653 mm to 685 mm or can be adjusted to a variable height in this range.	<input type="checkbox"/>
The patient supporting system has a local emergency stop button or there is a connection for an external emergency stop button. An emergency stop is not necessary if the patient supporting system does not have a motor-driven adjustment device.	<input type="checkbox"/>
The patient supporting system can be fixed in such a way that, in particular, no unintentional movement of the head part position in relation to a ground fixed point is possible during eye suction.	<input type="checkbox"/>
The head part incl. padding has a mechanical stability in vertical direction of at least 8 N/mm.	<input type="checkbox"/>
The load capacity of the patient supporting system is at least 135 kg.	<input type="checkbox"/>

13 Confirmation by Carl ZEISS Meditec AG

This section will be completed and signed by Service and Support for Refractive Lasers of Carl ZEISS Meditec AG Germany!

Date _____ Name _____ Signature _____

